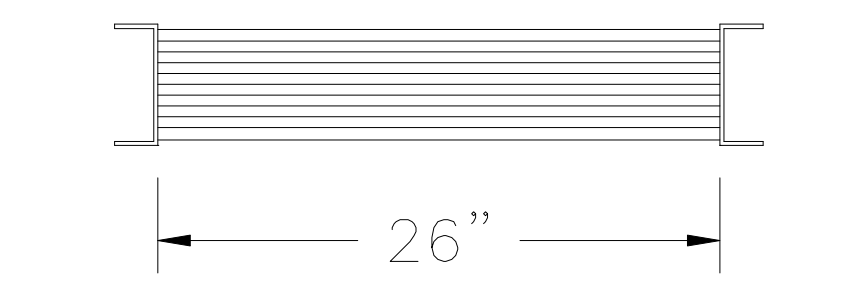
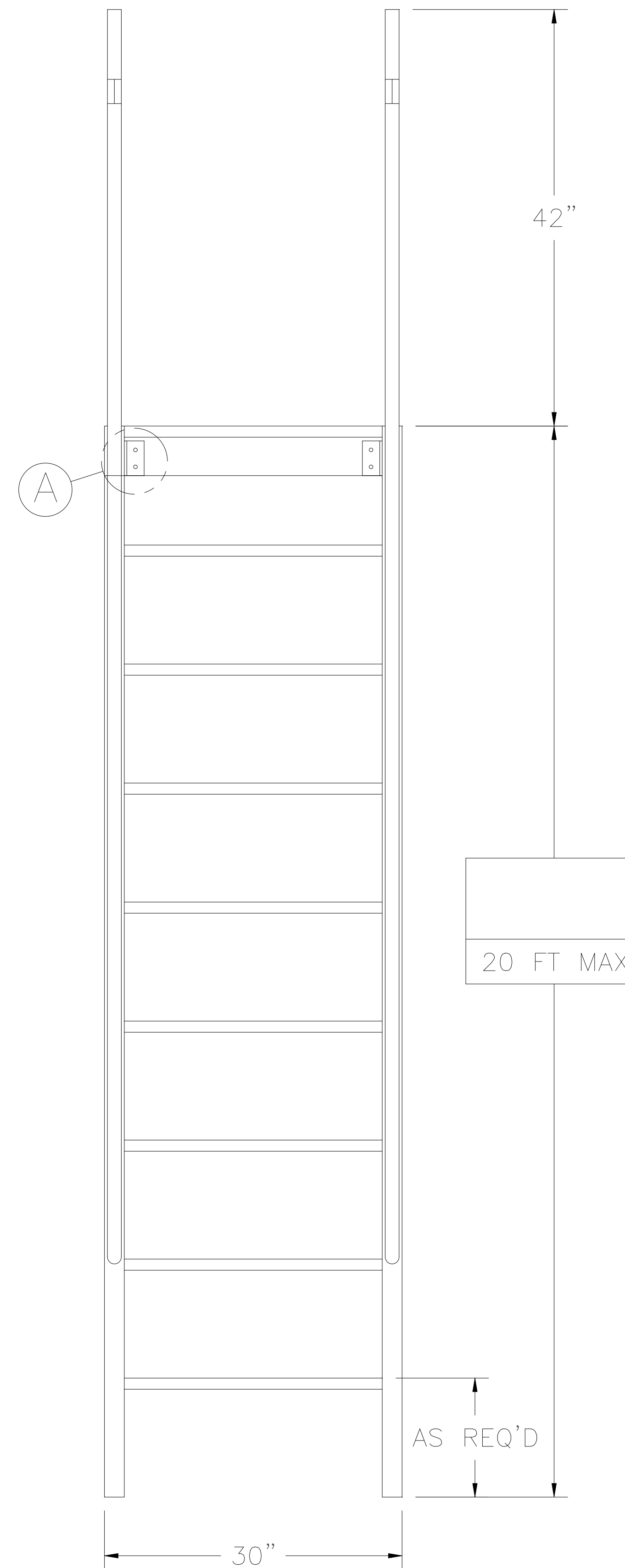
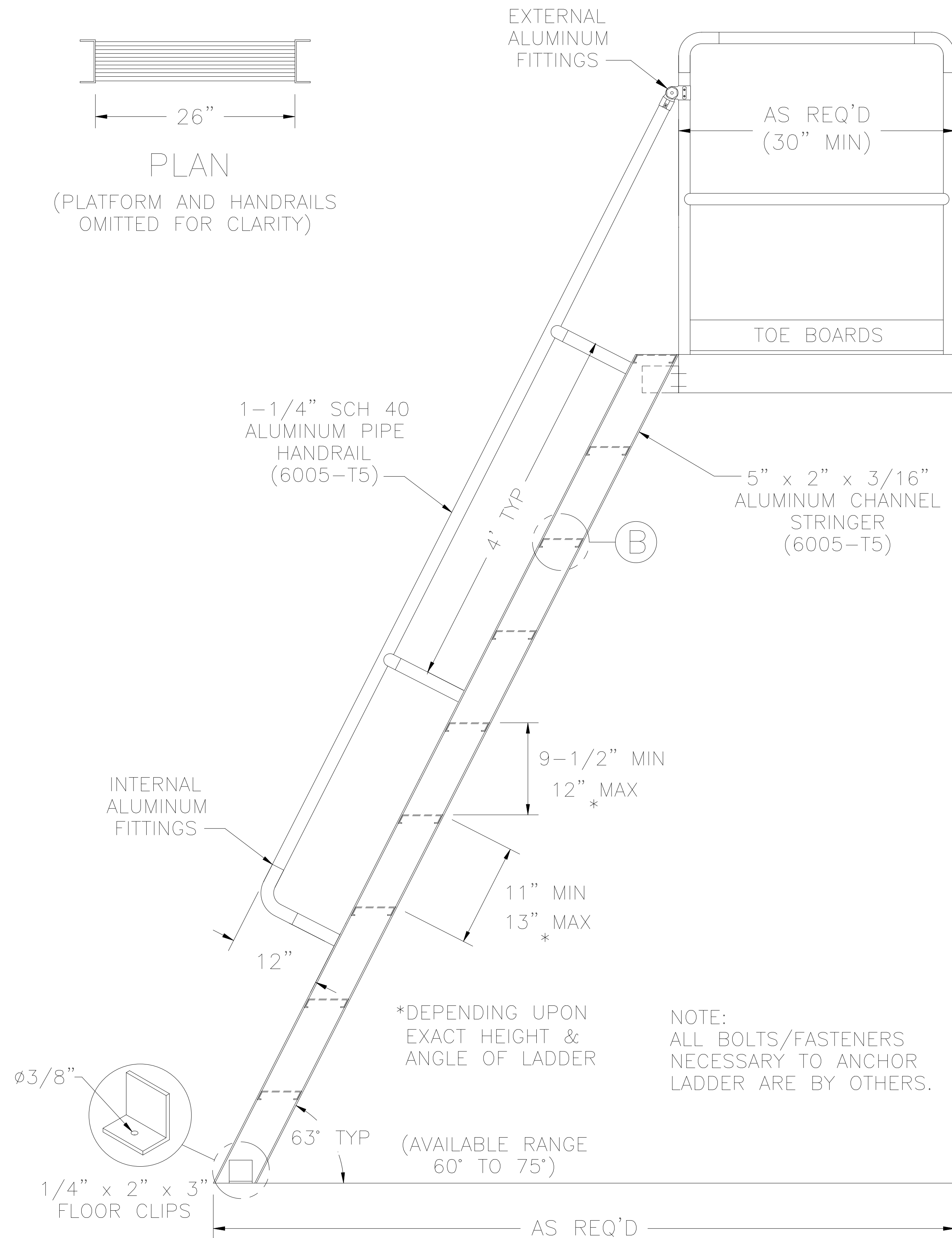


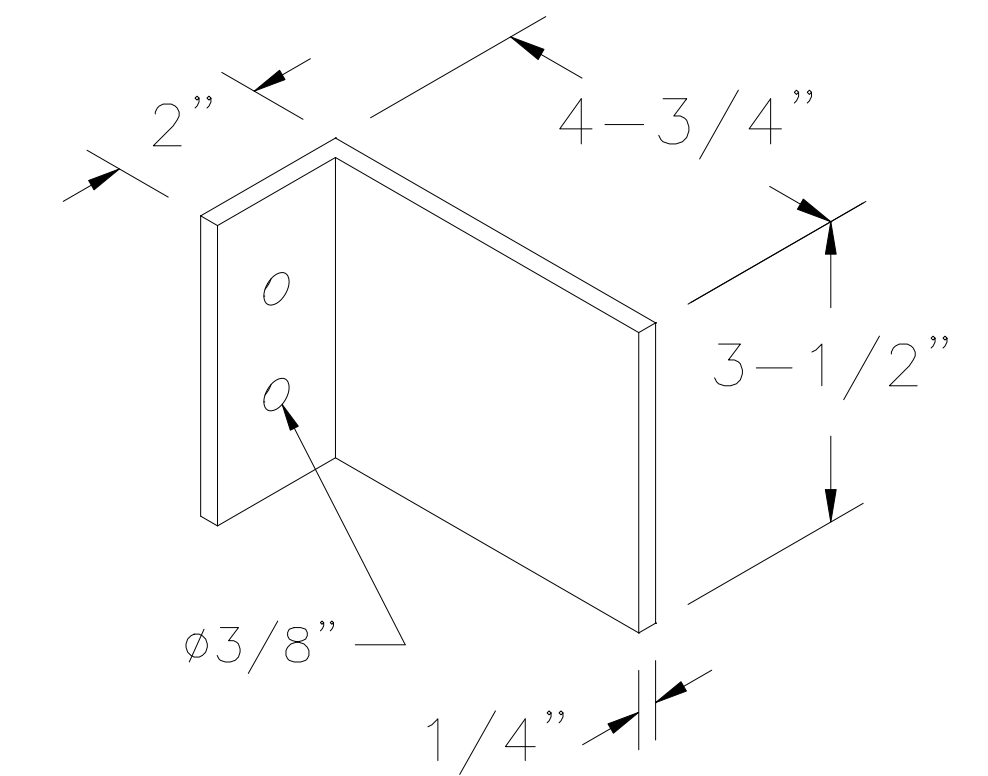
# ALUMINUM SHIPS LADDER w/WALK-THRU AND PLATFORM



PLAN  
(PLATFORM AND HANDRAILS OMITTED FOR CLARITY)

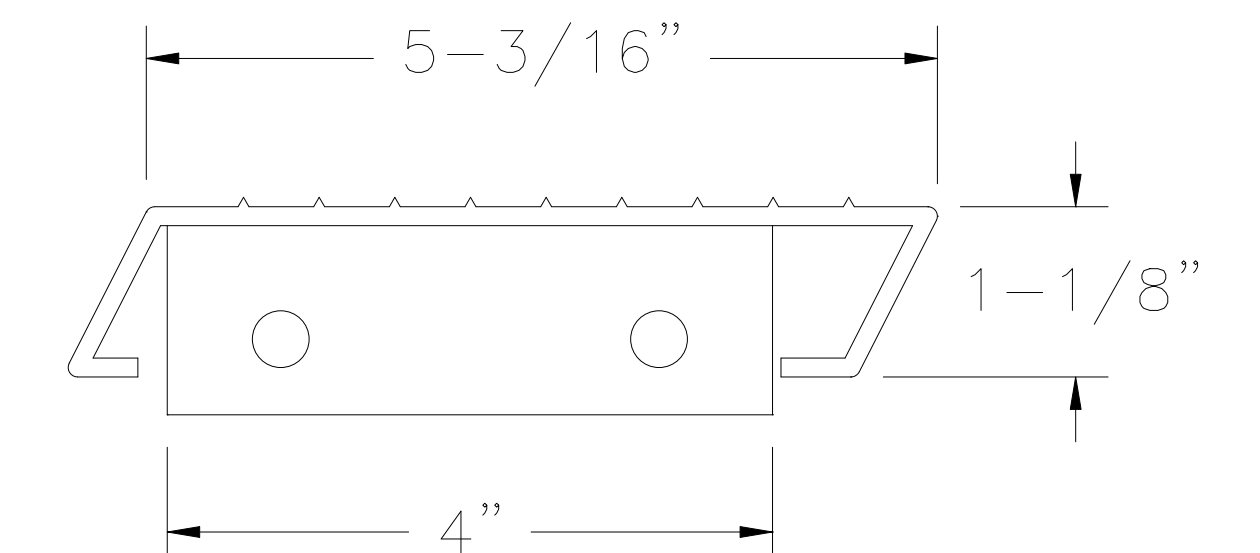


(A) MOUNTING BRACKET  
(6005-T5)



BRACKET WELDED TO INSIDE OF STRINGER

(B) ALUMINUM TREAD  
(6005-T5)



1-1/4" x 1-1/4" x 1/4" ANGLE WELDED TO TREAD

TREAD WELDED AND BOLTED TO STRINGER WITH 1/4" ROUND HEAD BOLTS

FACTORY FINISH  
ALUMINUM-MILL FINISH

WORK ORDER: ( )	DWG. CHECK	ARCH'T OR ENG'R.	PROJECT		PRECISION REP
	BUILT BY:	PURCHASE ORDER	REVISION	PURCHASER	SERIAL#
	CHECKED BY:	DRAWN BY:	DATE	MODEL#	QTY.