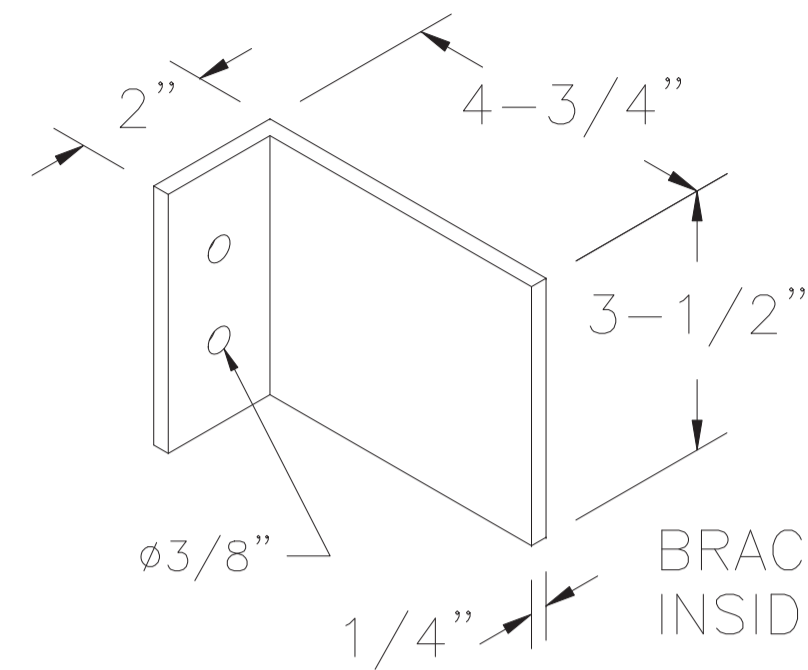


# ALUMINUM CROSSOVER SHIPS LADDER

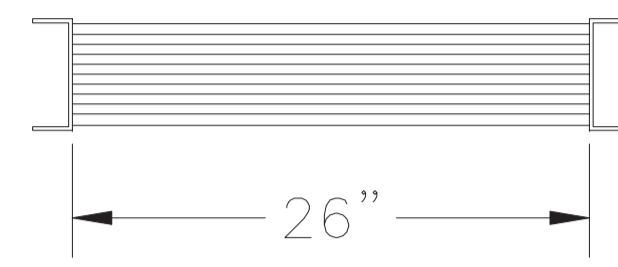
## (A) MOUNTING BRACKET (6005-T5)



NOTE:  
ALL BOLTS/FASTENERS  
NECESSARY TO ANCHOR  
LADDER ARE BY OTHERS.

BRACKET WELDED TO  
INSIDE OF STRINGER

## FACTORY FINISH ALUMINUM-MILL FINISH



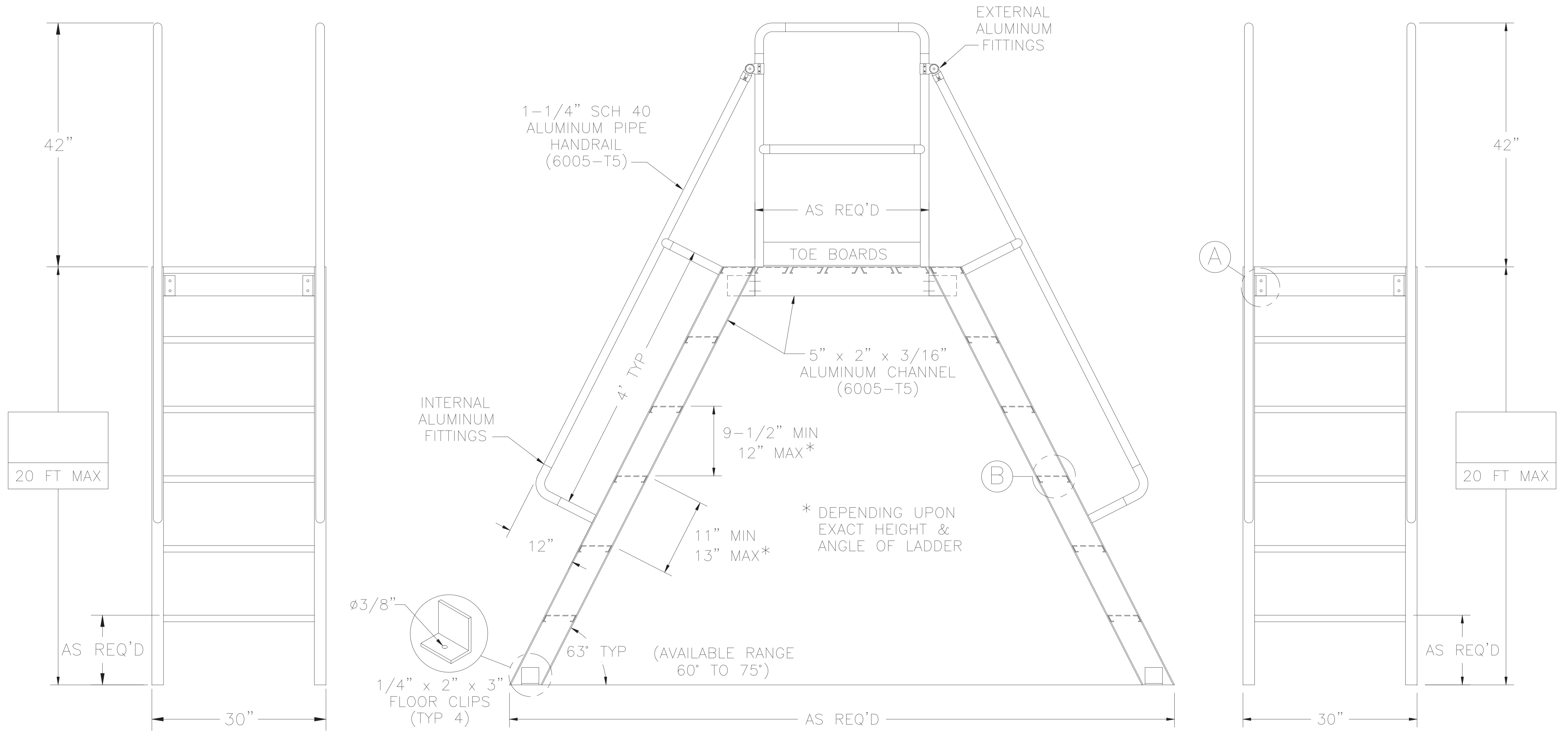
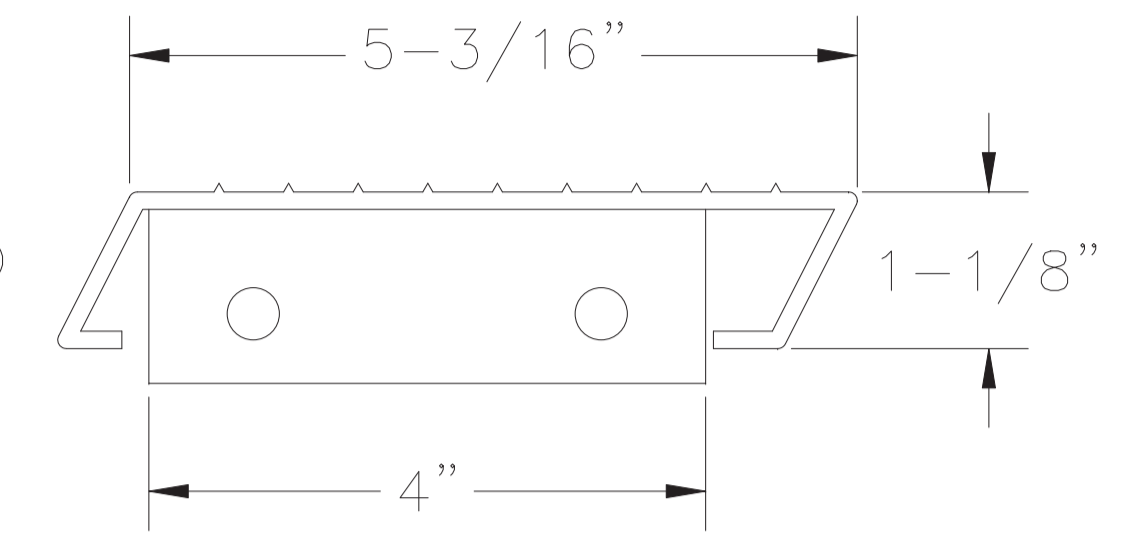
PLAN

(PLATFORM AND HANDRAILS  
OMITTED FOR CLARITY)

1-1/4" x 1-1/4" x 1/4"  
ANGLE WELDED TO TREAD

TREAD WELDED AND BOLTED  
TO STRINGER WITH 1/4"  
ROUND HEAD BOLTS

## (B) ALUMINUM TREAD (6005-T5)



WORK ORDER: ( )	DWG. CHECK	ARCH'T OR ENG'R.	PROJECT		PRECISION REP
	BUILT BY:	PURCHASE ORDER	REVISION	PURCHASER	SERIAL#
	CHECKED BY:	DRAWN BY:	DATE	MODEL#	QTY.