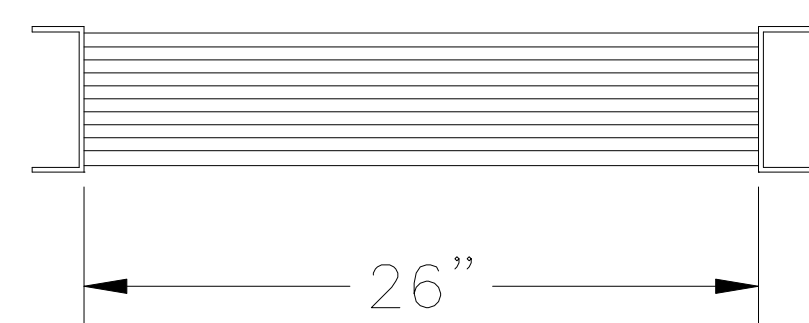
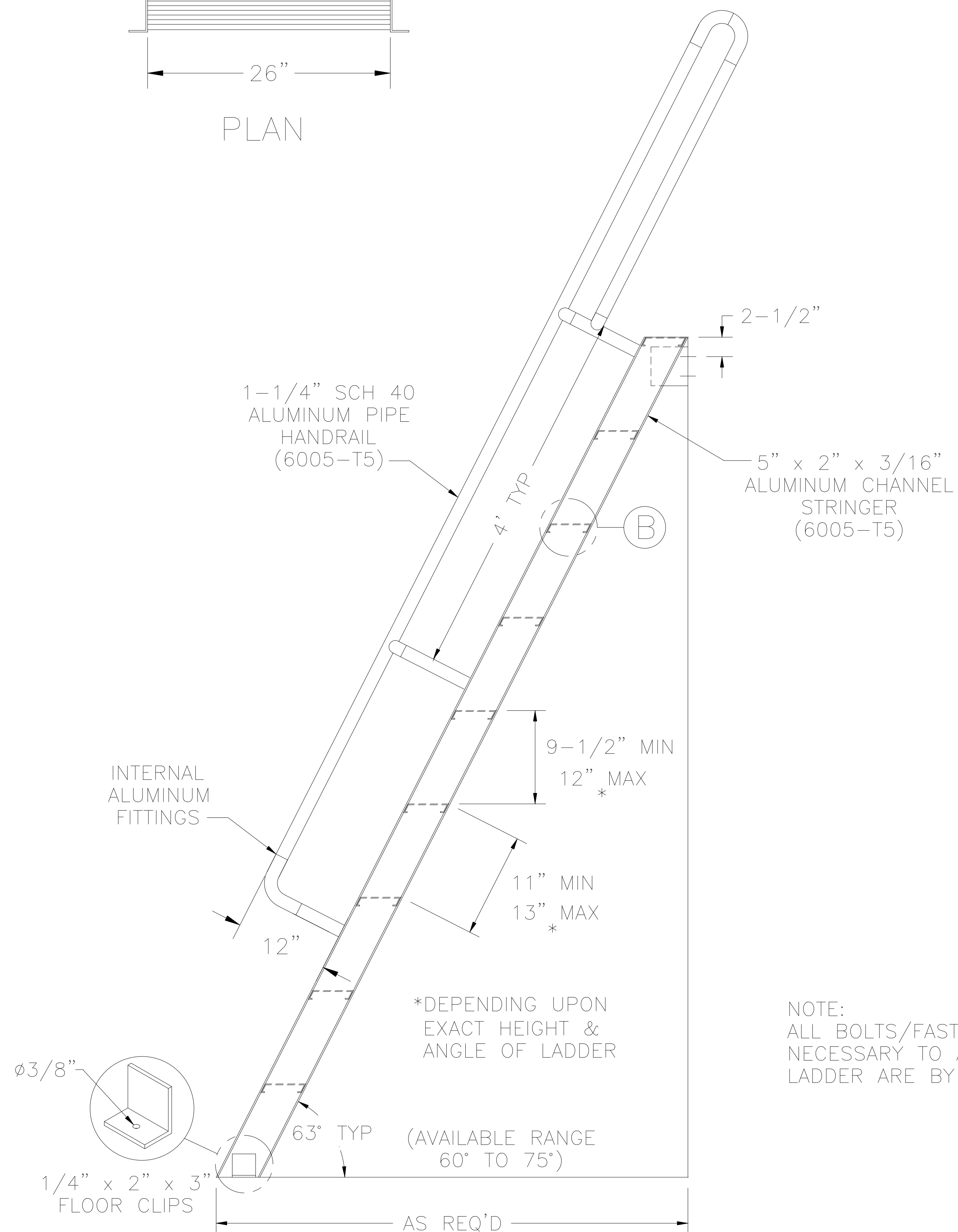


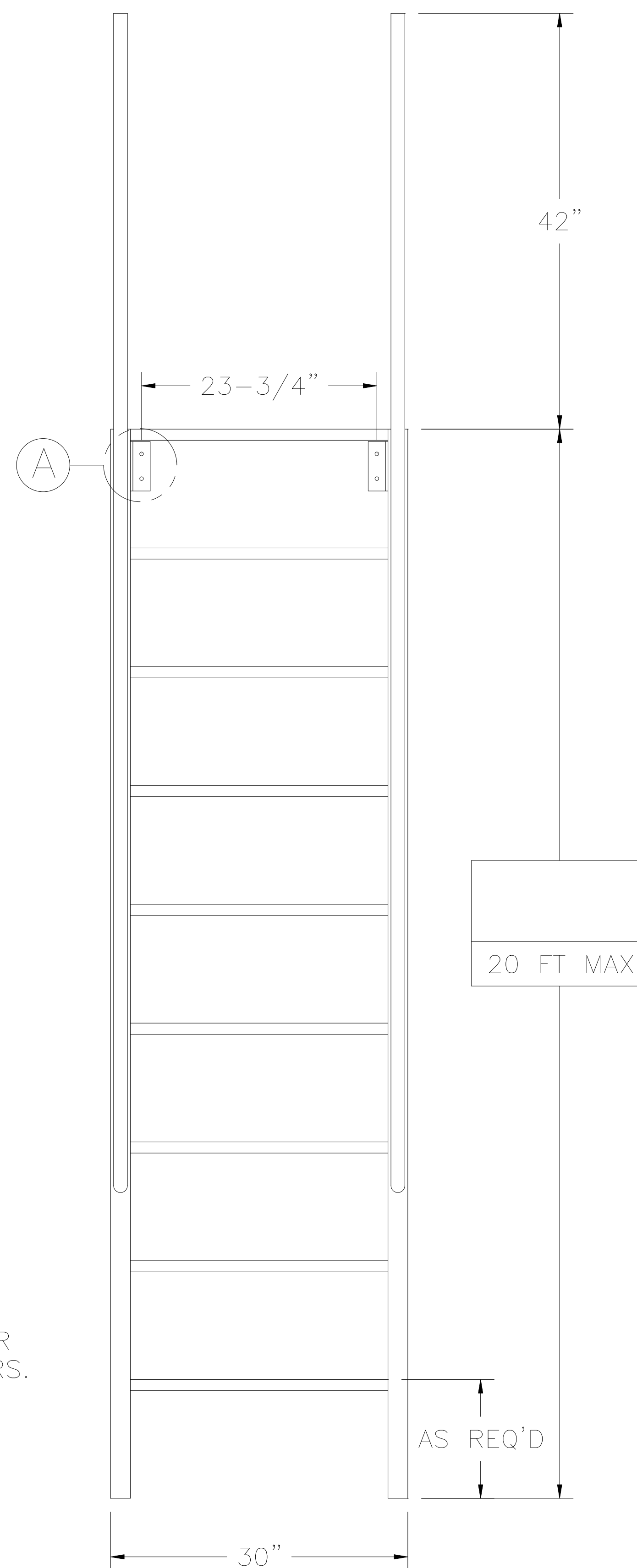
# ALUMINUM SHIPS LADDER w/WALK-THRU



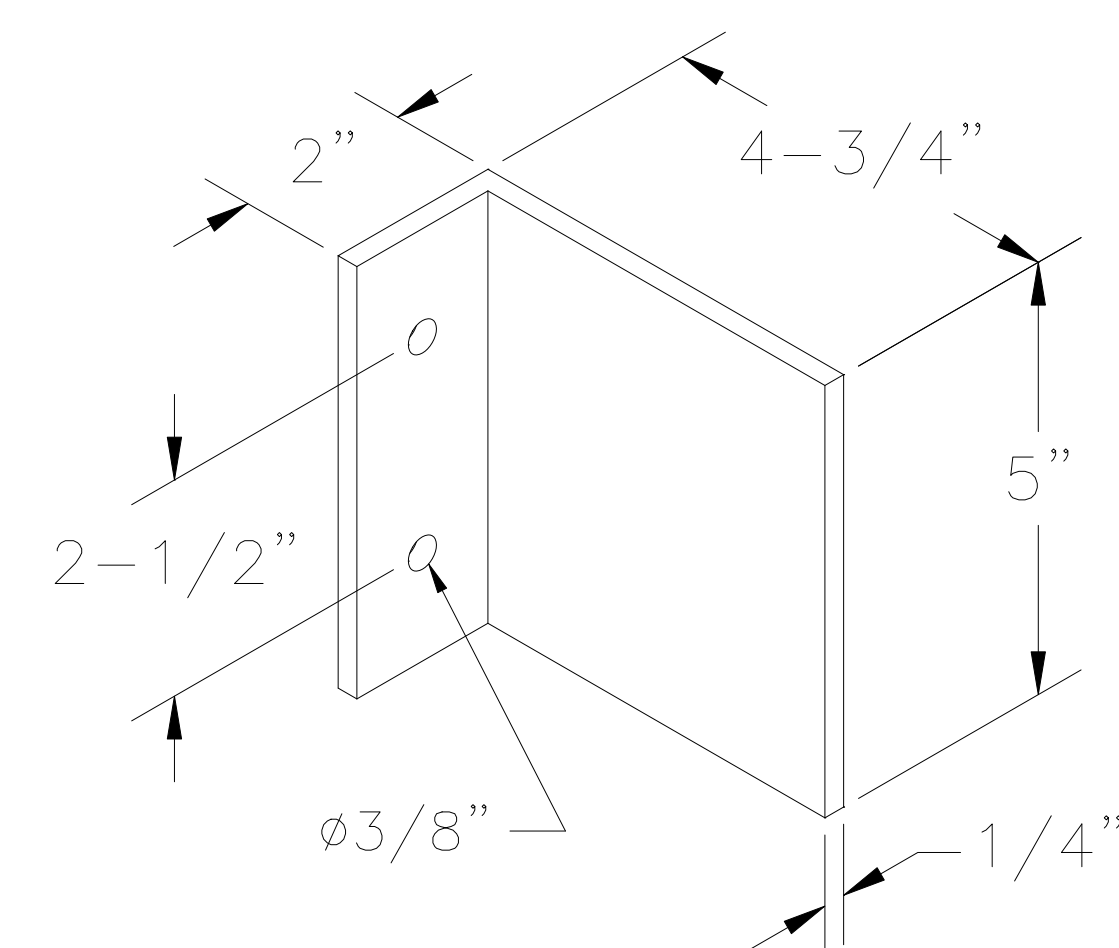
PLAN



NOTE:  
ALL BOLTS/FASTENERS  
NECESSARY TO ANCHOR  
LADDER ARE BY OTHERS.

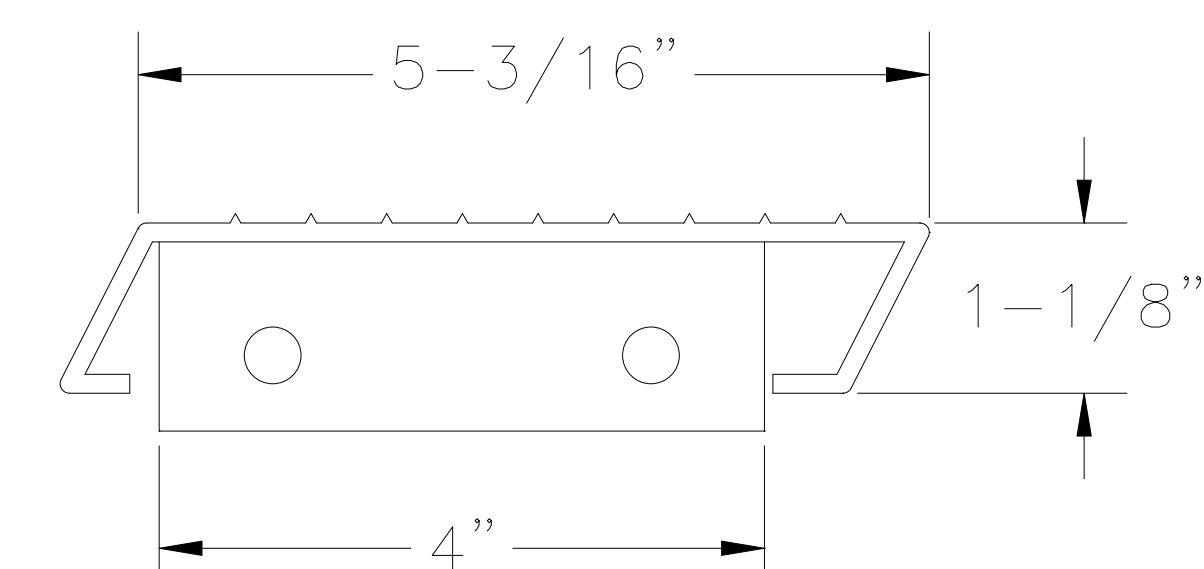


(A) MOUNTING BRACKET (6005-T5)



BRACKET WELDED TO  
INSIDE OF STRINGER

(B) ALUMINUM TREAD (6005-T5)



1-1/4" x 1-1/4" x 1/4"  
ANGLE WELDED TO TREAD

TREAD WELDED AND BOLTED  
TO STRINGER WITH 1/4"  
ROUND HEAD BOLTS

FACTORY FINISH  
ALUMINUM-MILL FINISH

WORK ORDER: ( )	DWG. CHECK	ARCH'T OR ENG'R.	PROJECT		PRECISION REP
	BUILT BY:	PURCHASE ORDER	REVISION	PURCHASER	SERIAL#
	CHECKED BY:	DRAWN BY:	DATE	MODEL#	QTY.