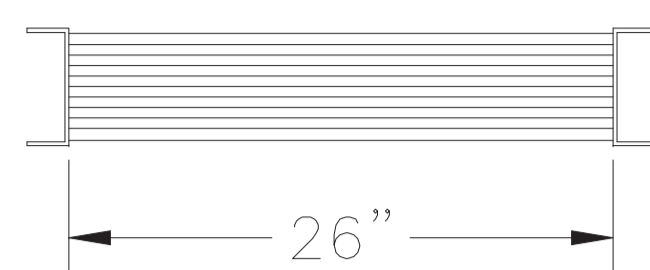


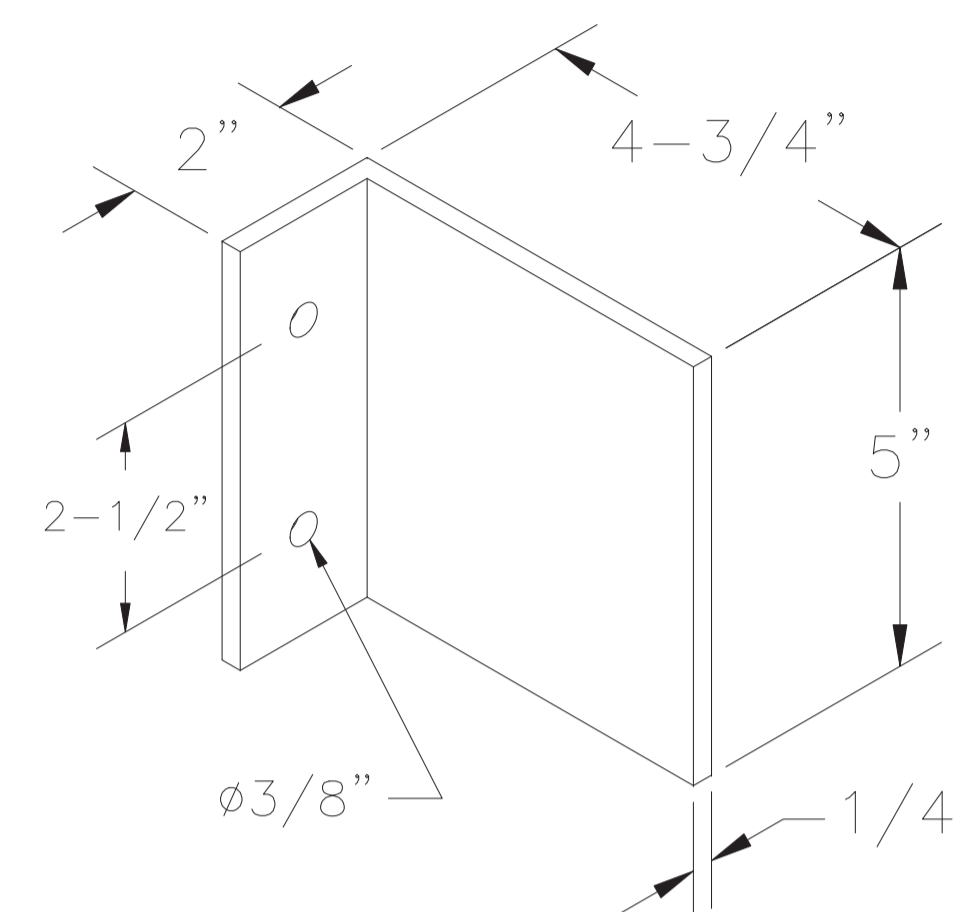
ALUMINUM SHIPS LADDER TO ROOF HATCH



PLAN

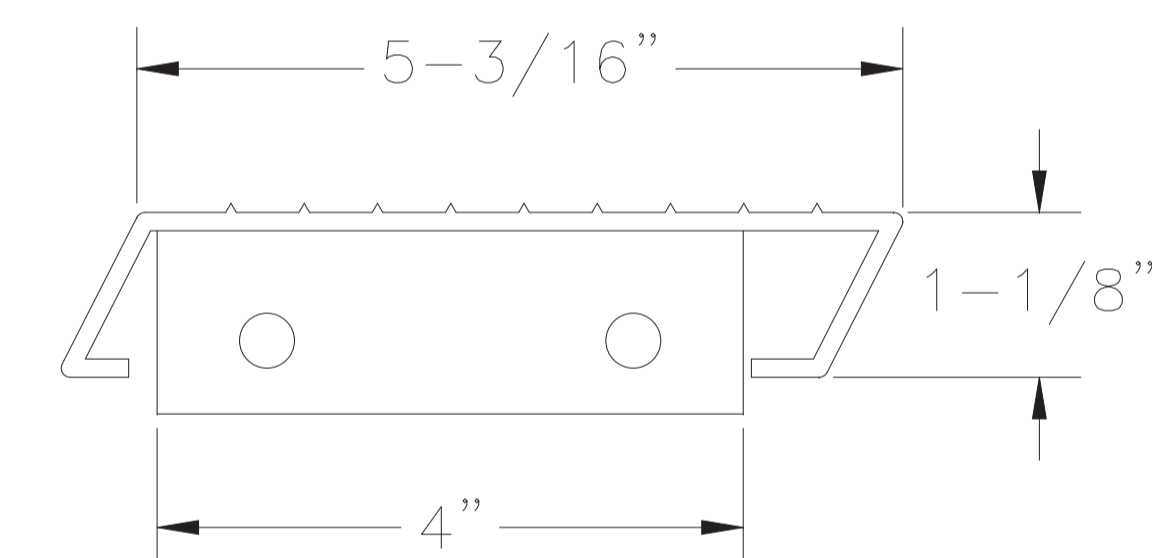
NOTE:
ALL BOLTS/FASTENERS
NECESSARY TO ANCHOR
LADDER ARE BY OTHERS.

(A) MOUNTING BRACKET
(6005-T5)



BRACKET WELDED TO
INSIDE OF STRINGER

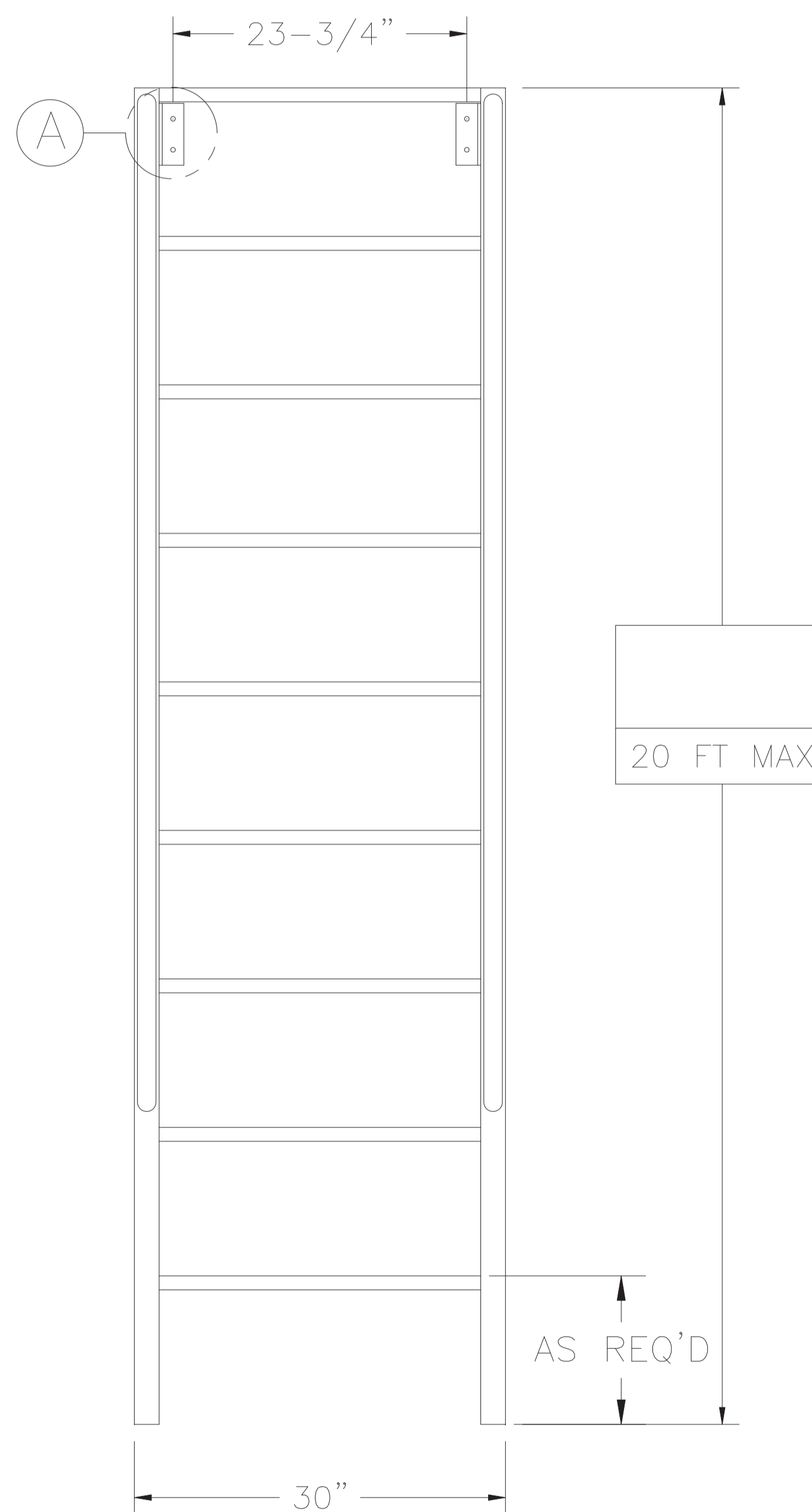
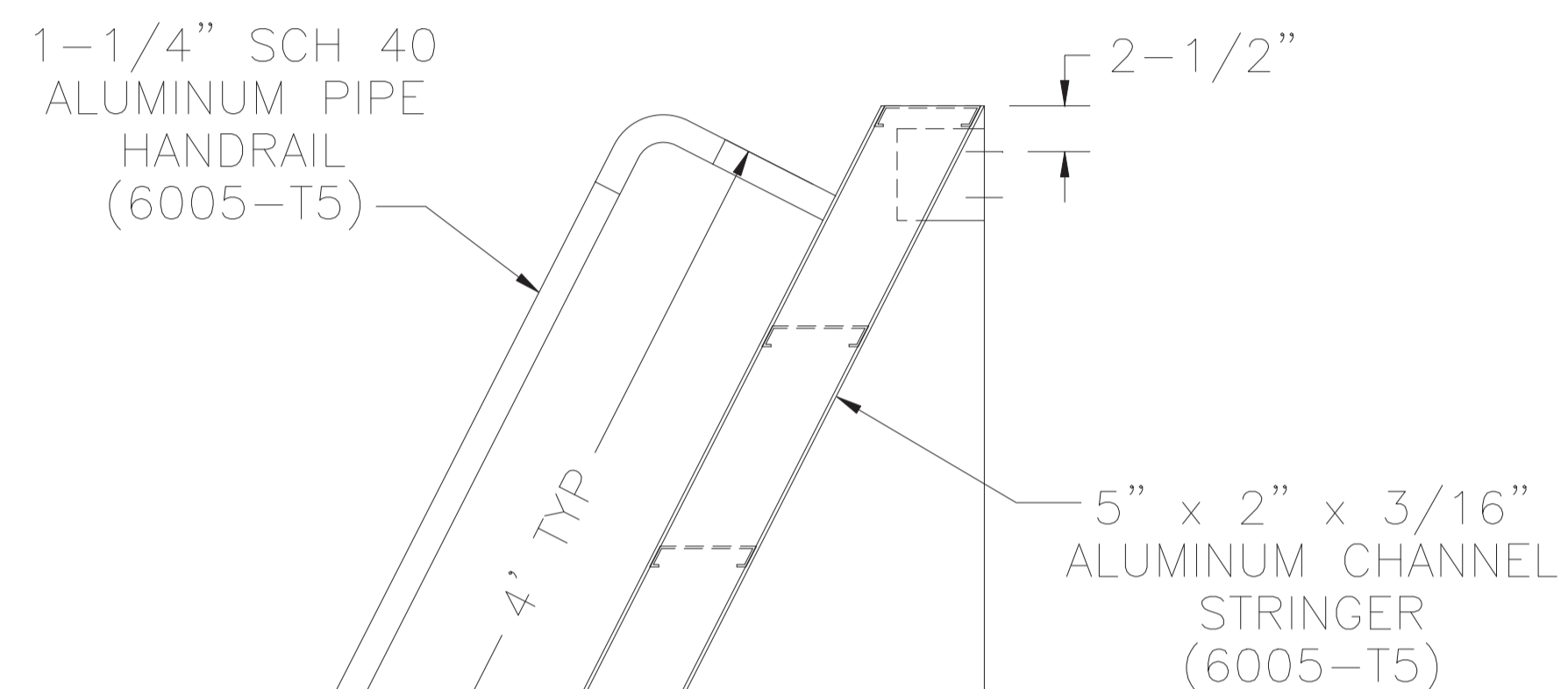
(B) ALUMINUM TREAD
(6005-T5)



1-1/4" x 1-1/4" x 1/4"
ANGLE WELDED TO TREAD

TREAD WELDED AND BOLTED
TO STRINGER WITH 1/4"
ROUND HEAD BOLTS

FACTORY FINISH
ALUMINUM-MILL FINISH

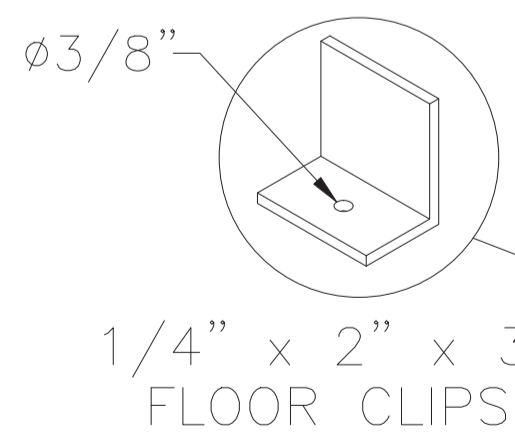


INTERNAL
ALUMINUM
FITTINGS

9-1/2" MIN
12" MAX
*

11" MIN
13" MAX
*

* DEPENDING UPON
EXACT HEIGHT &
ANGLE OF LADDER



1/4" x 2" x 3"
FLOOR CLIPS

(AVAILABLE RANGE
60° TO 75°)

AS REQ'D

AS REQ'D

20 FT MAX

30"

WORK ORDER: ()	DWG. CHECK	ARCH'T OR ENG'R.	PROJECT		PRECISION REP
	BUILT BY:	PURCHASE ORDER	REVISION	PURCHASER	SERIAL#
	CHECKED BY:	DRAWN BY:	DATE	MODEL#	QTY.