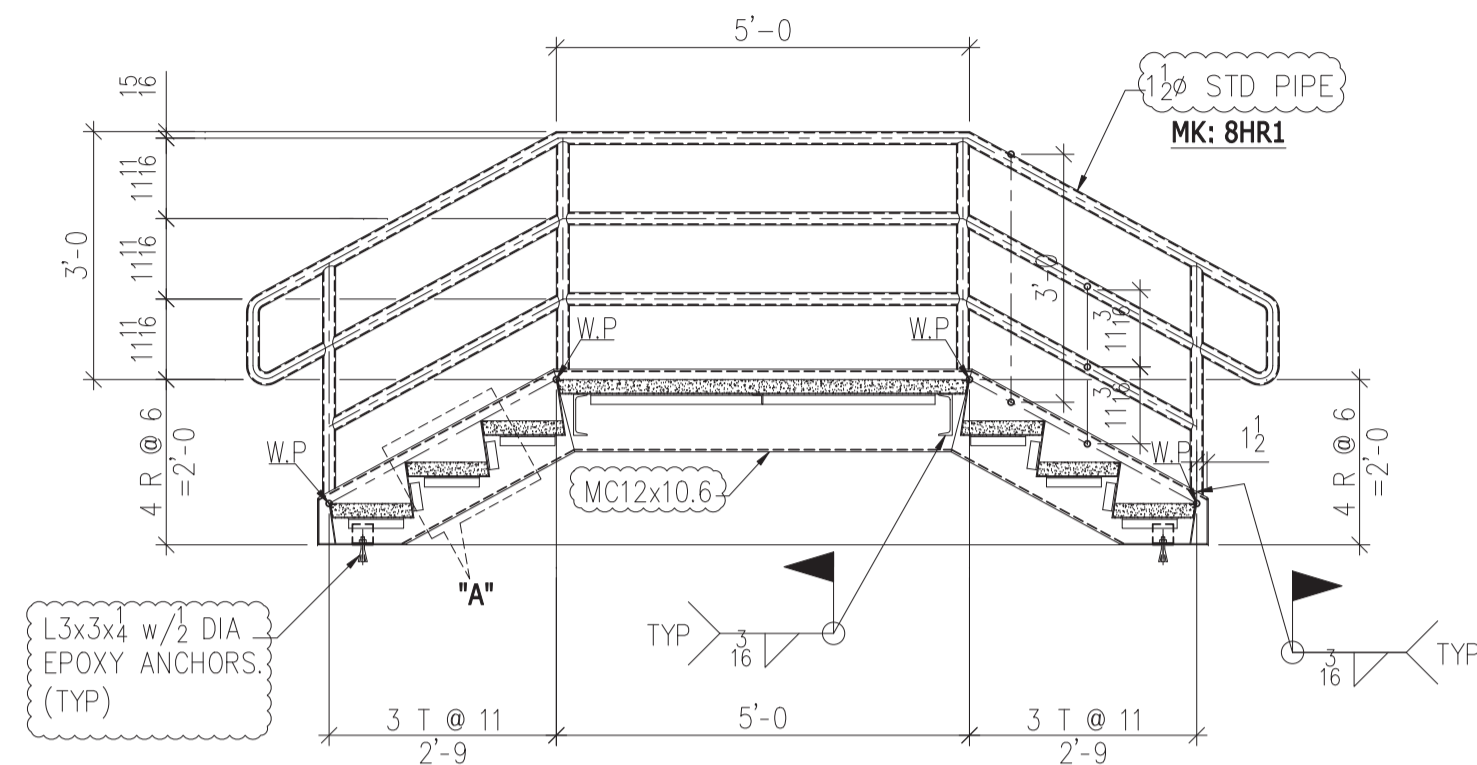
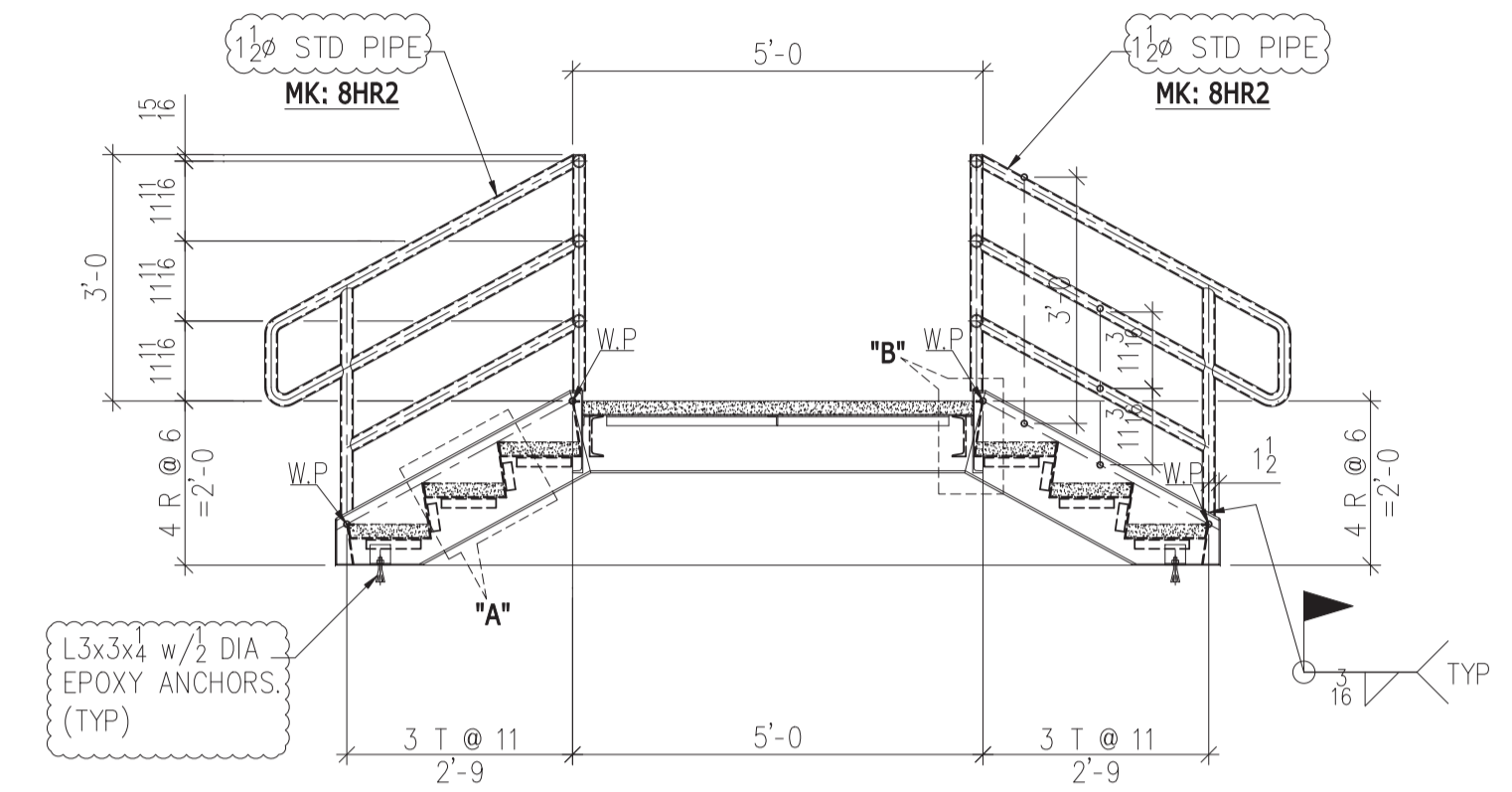


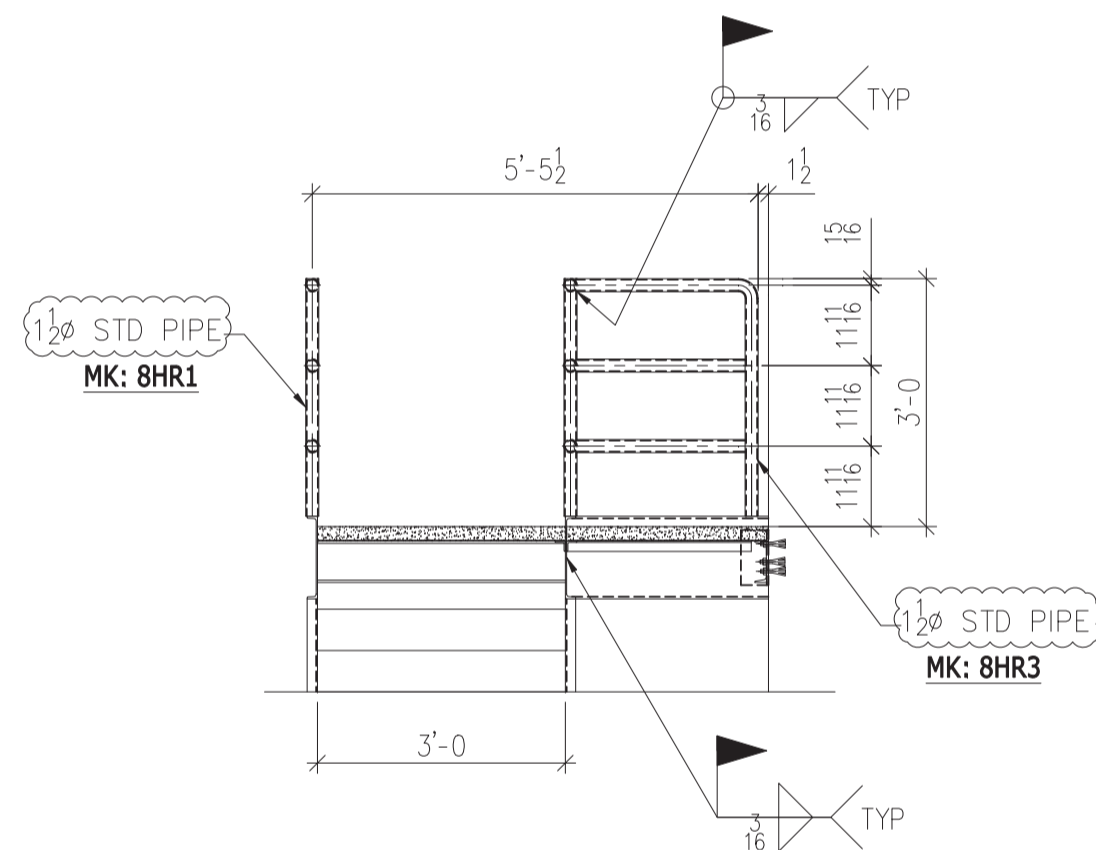
DETAIL - 1
(2 LOCATIONS)
(REF. 2/A1.01)



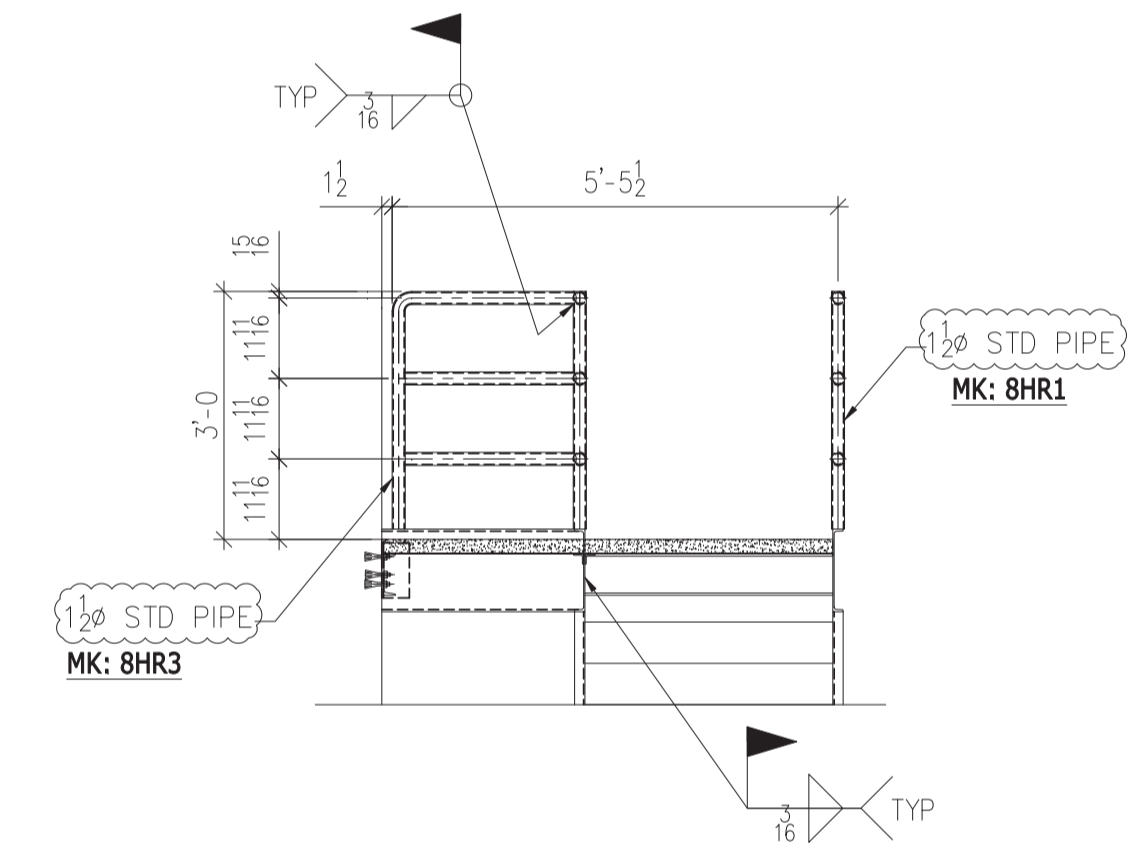
SECTION A-A
(REF. 4/A1.01)



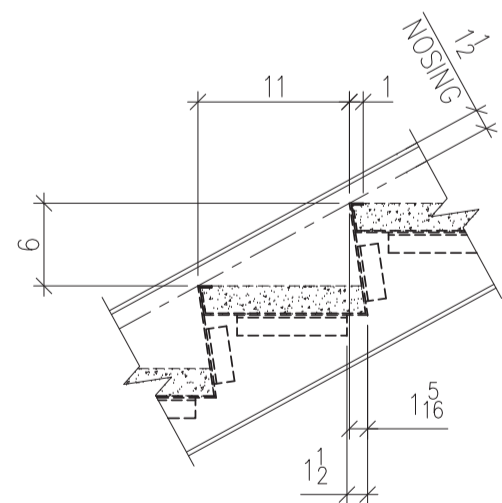
SECTION B-B
(REF. 4/A1.01)



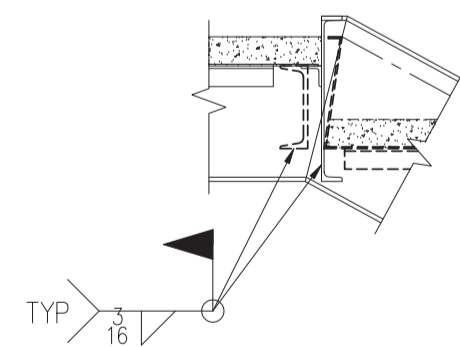
SECTION C-C
(REF. 3/A1.01)



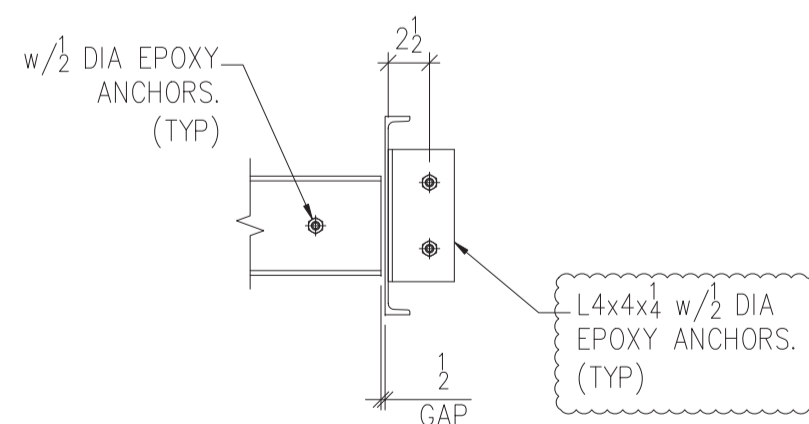
SECTION D-D
(REF. 3/A1.01)



DETAIL - "A"



DETAIL - "B"



SECTION E-E

APPROVER:

PLEASE CONFIRM/ PROVIDE
ALL CLOUDED INFORMATION.

