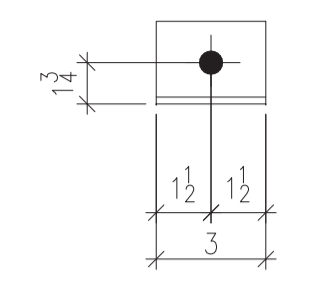
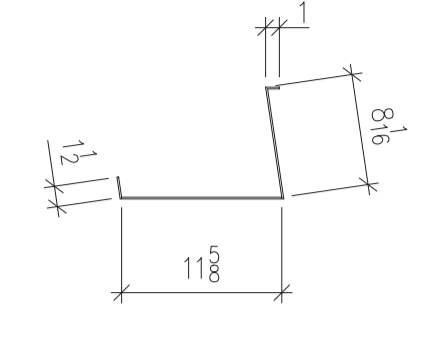


2 ~ STAIRS ASSEMBLY ~ 9ST1

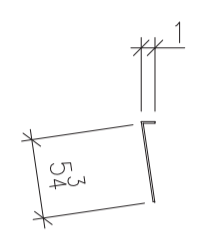
DETAILS OF a3



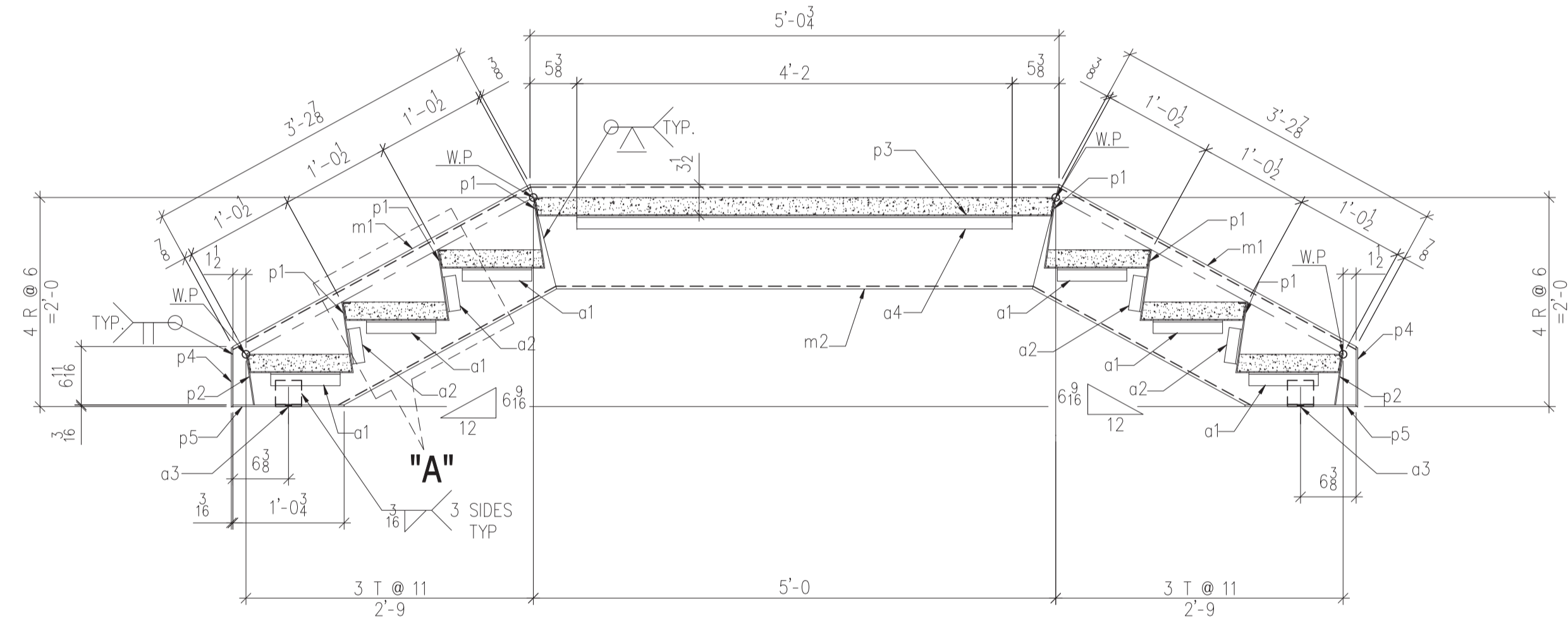
DETAILS OF p1



DETAILS OF p2

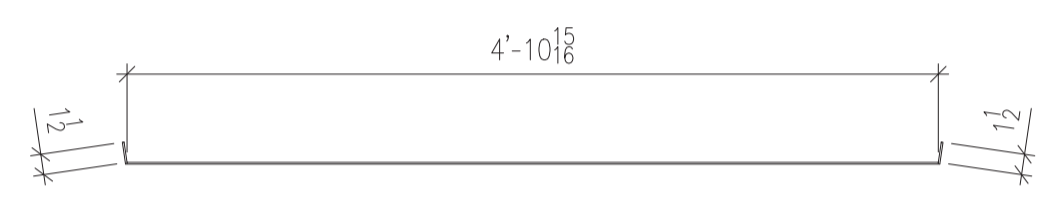


| BILL OF MATERIAL | | | | | | |
|------------------|----------|------------------------|--------|---------|-------------|---------|
| MARK | QUANTITY | DESCRIPTION | LENGTH | | MAT'L GRADE | REMARKS |
| | | | FT | IN | | |
| 9ST1 | 2 | STRINGER | | | | |
| m1 | 8 | MC12x10.6 | 3 | 2 7/8 | A36 | |
| m2 | 2 | MC12x10.6 | 5 | 3/4 | A36 | |
| m3 | 2 | MC12x10.6 | 5 | 3/4 | A36 | |
| a1 | 24 | L 1 1/2 x 1 1/2 x 3/16 | 0 | 8 | A36 | |
| a2 | 16 | L 1 1/2 x 1 1/2 x 3/16 | 0 | 4 | A36 | |
| a3 | 8 | L 3 x 3 x 1/4 | 0 | 3 | A36 | |
| a4 | 6 | L 1 1/2 x 1 1/2 x 3/16 | 4 | 2 | A36 | |
| p1 | 12 | 14 GA PL x 21 3/16 | 3 | 0 | A36 | |
| p2 | 4 | 14 GA PL x 6 3/4 | 3 | 0 | A36 | |
| p3 | 2 | 14 GA PL x 36 | 5 | 1 15/16 | A36 | |
| p4 | 8 | PL3/16x 1 1/2 | 0 | 6 3/4 | A36 | |
| p5 | 8 | PL3/16x 1 1/2 | 1 | 3/4 | A36 | |

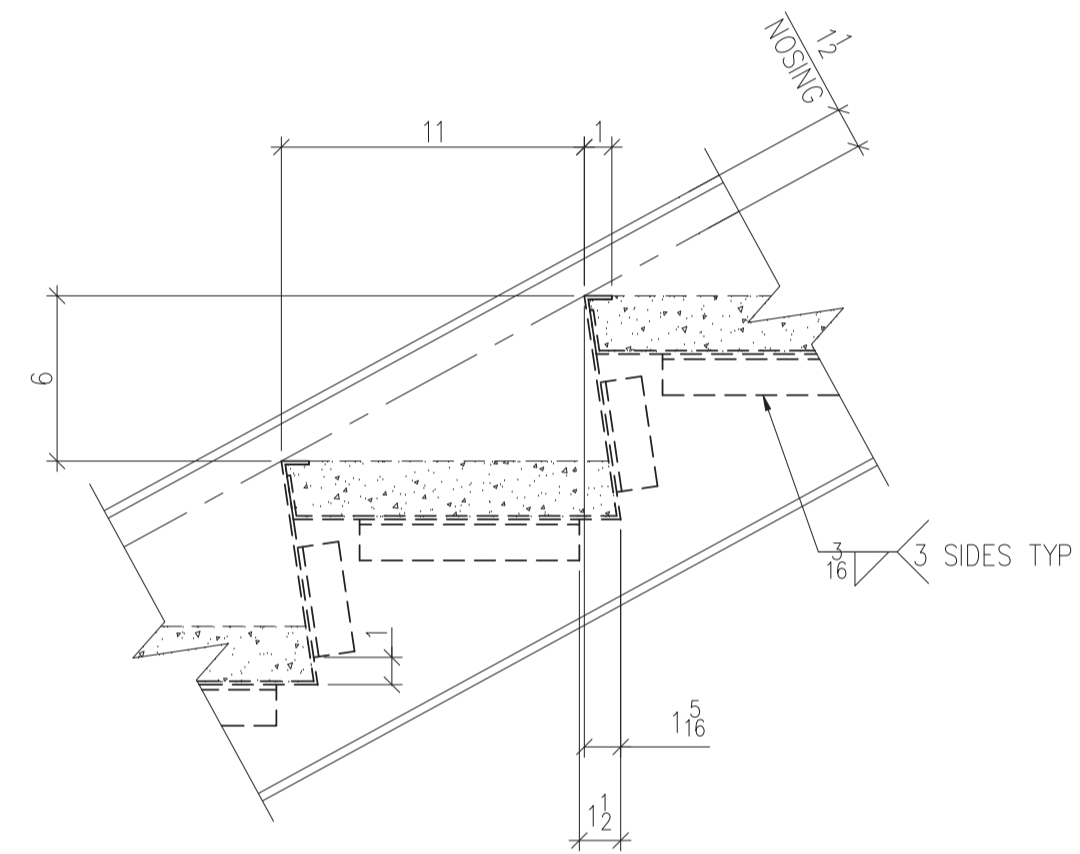
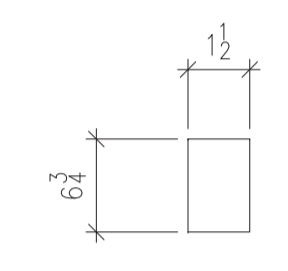


SECTION A-A

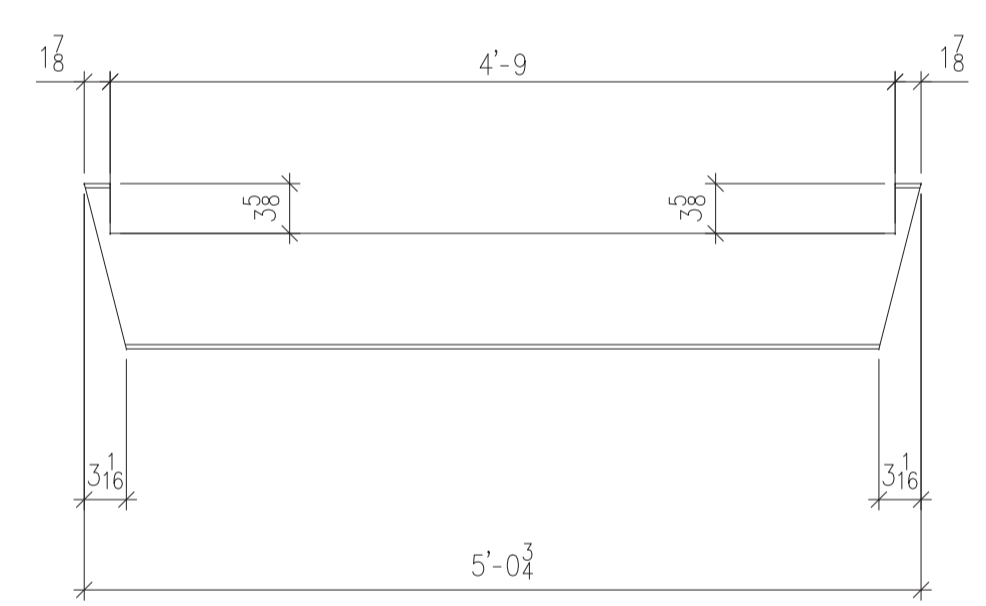
DETAILS OF p3



DETAILS OF p4

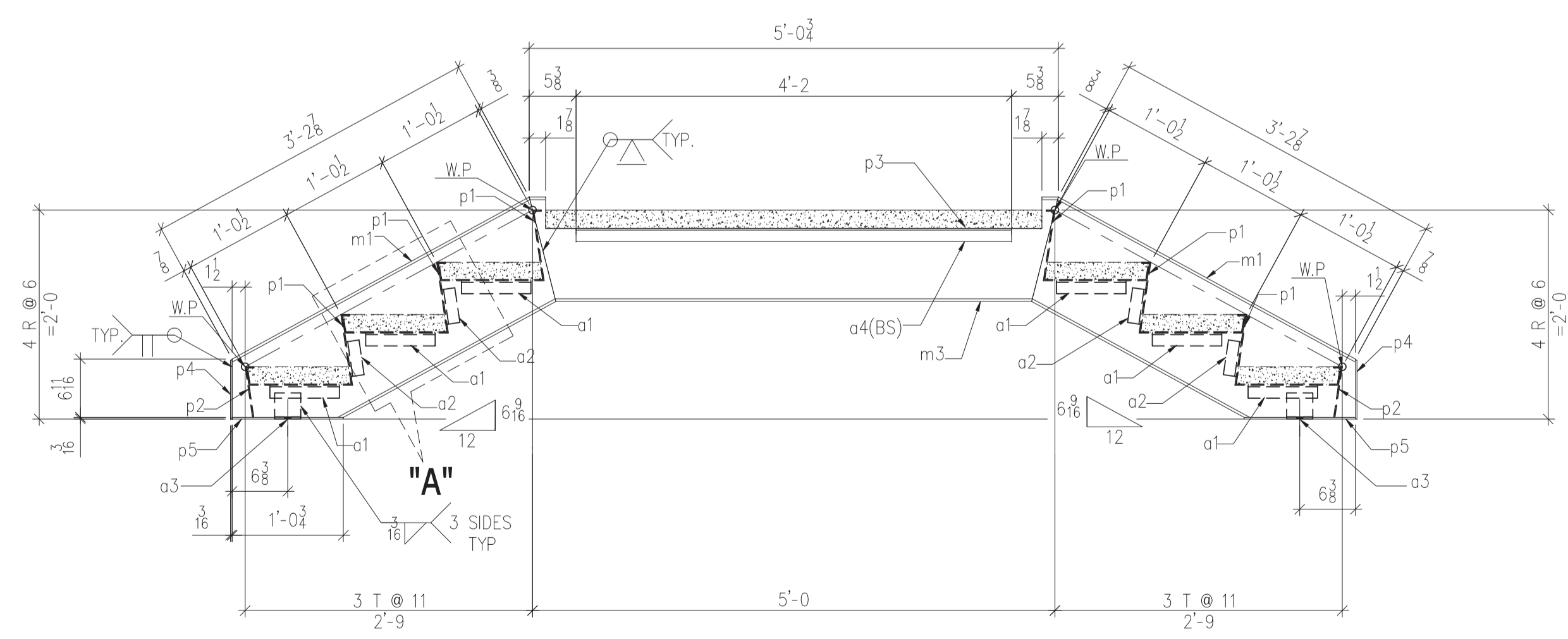
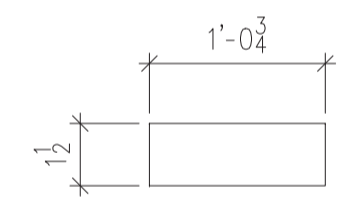


DETAIL - "A"

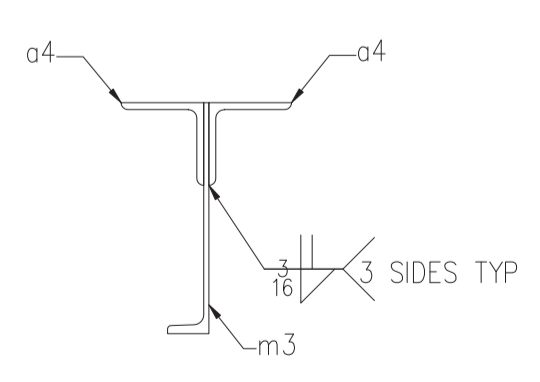


DETAILS OF m3

DETAILS OF p5



SECTION B-B



SECTION C-C

APPROVER:
PLEASE CONFIRM/ PROVIDE ALL CLOUDED INFORMATION.