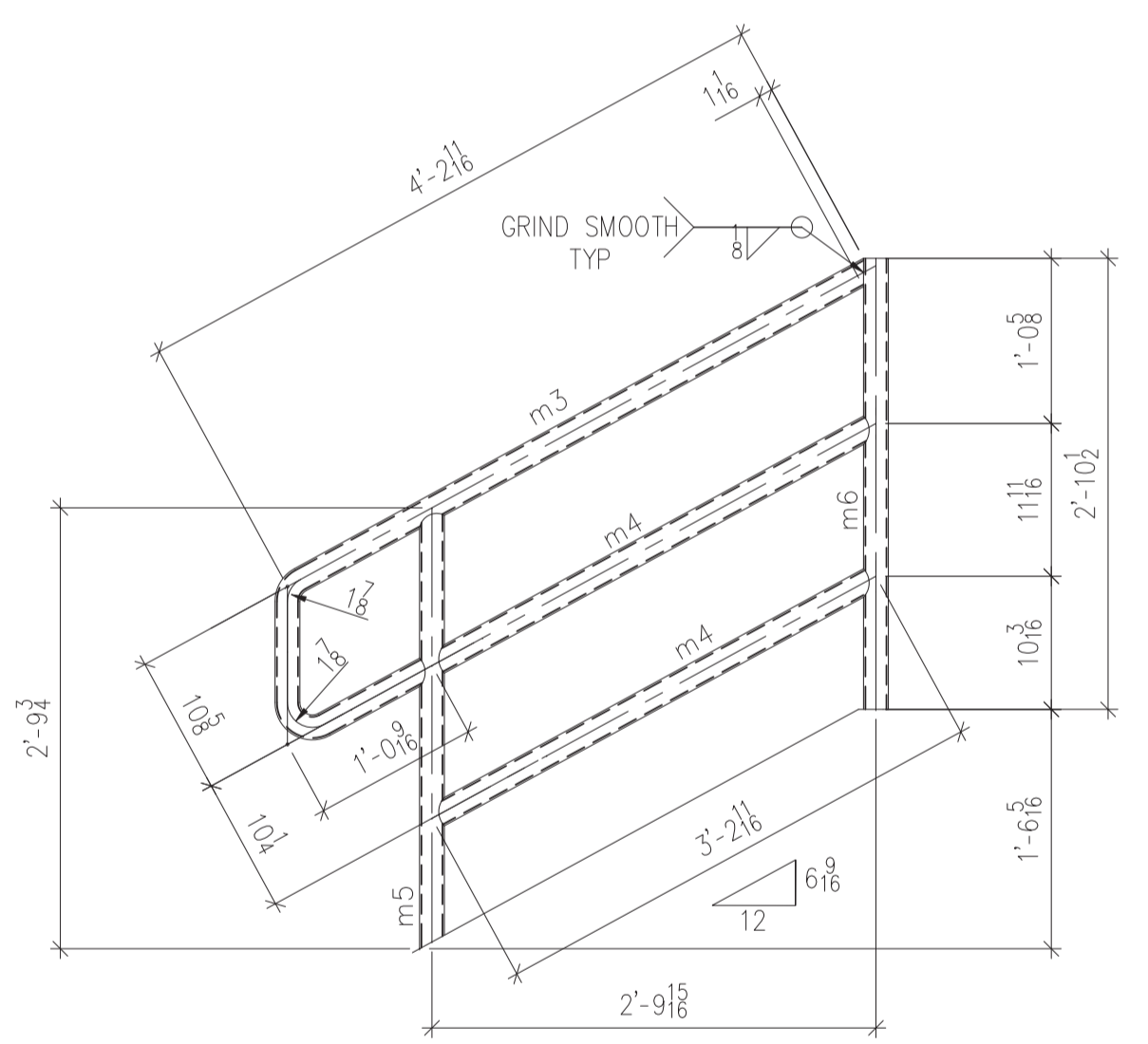
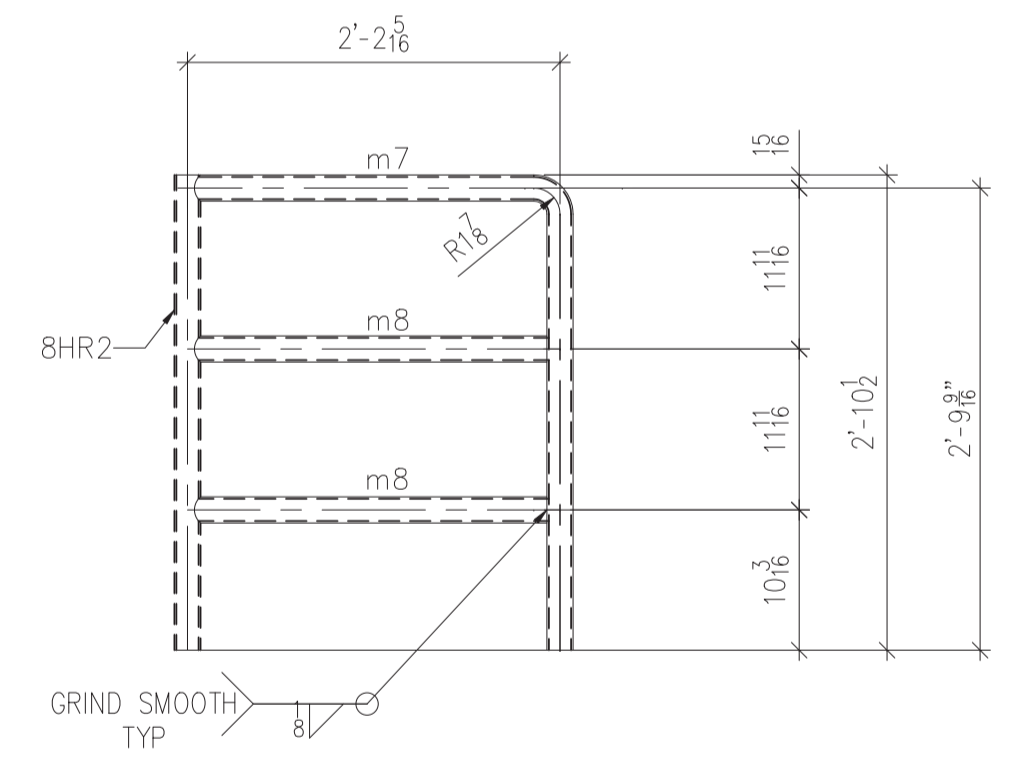


**2 ~ HANDRAILS ~ 8HR1**



**4 ~ HANDRAILS ~ 8HR2**



**4 ~ HANDRAILS ~ 8HR3**

BILL OF MATERIAL						
MARK	QUANTITY	DESCRIPTION	LENGTH		MAT'L GRADE	REMARKS
			FT	IN		
8HR1	2	HANDRAIL				
m1	2	1 STD PIPE	5	0	A53	
m2	4	1 STD PIPE	4	10 1/8	A53	
m3	4	1 STD PIPE	6	1 7/8	A53	
m4	8	1 STD PIPE	3	2 11/16	A53	
m5	4	1 STD PIPE	2	9 3/4	A53	
m6	4	1 STD PIPE	2	9 9/16	A53	
8HR2	4	HANDRAIL				
m3	4	1 STD PIPE	6	1 7/8	A53	
m4	8	1 STD PIPE	3	2 11/16	A53	
m5	4	1 STD PIPE	2	9 3/4	A53	
m6	4	1 STD PIPE	2	9 9/16	A53	
8HR3	4	HANDRAIL				
m7	4	1 STD PIPE	4	11 7/8	A53	
m8	8	1 STD PIPE	2	2 5/16	A53	

**APPROVER:**  
PLEASE CONFIRM/ PROVIDE ALL CLOUDED INFORMATION.

