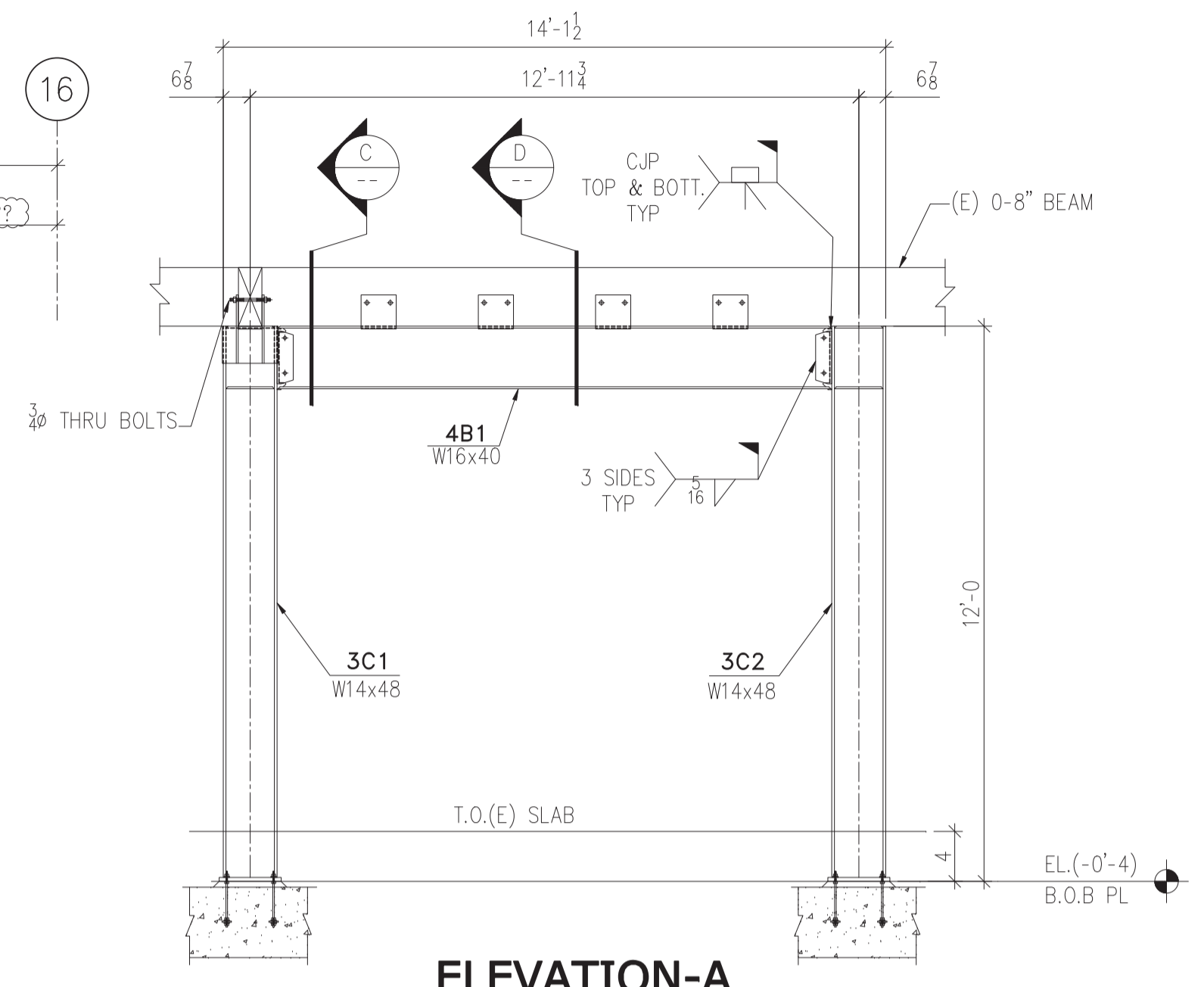


SEISMIC UPGRADE AT FIRST FLOOR PLAN
(REF. S2 & S3)

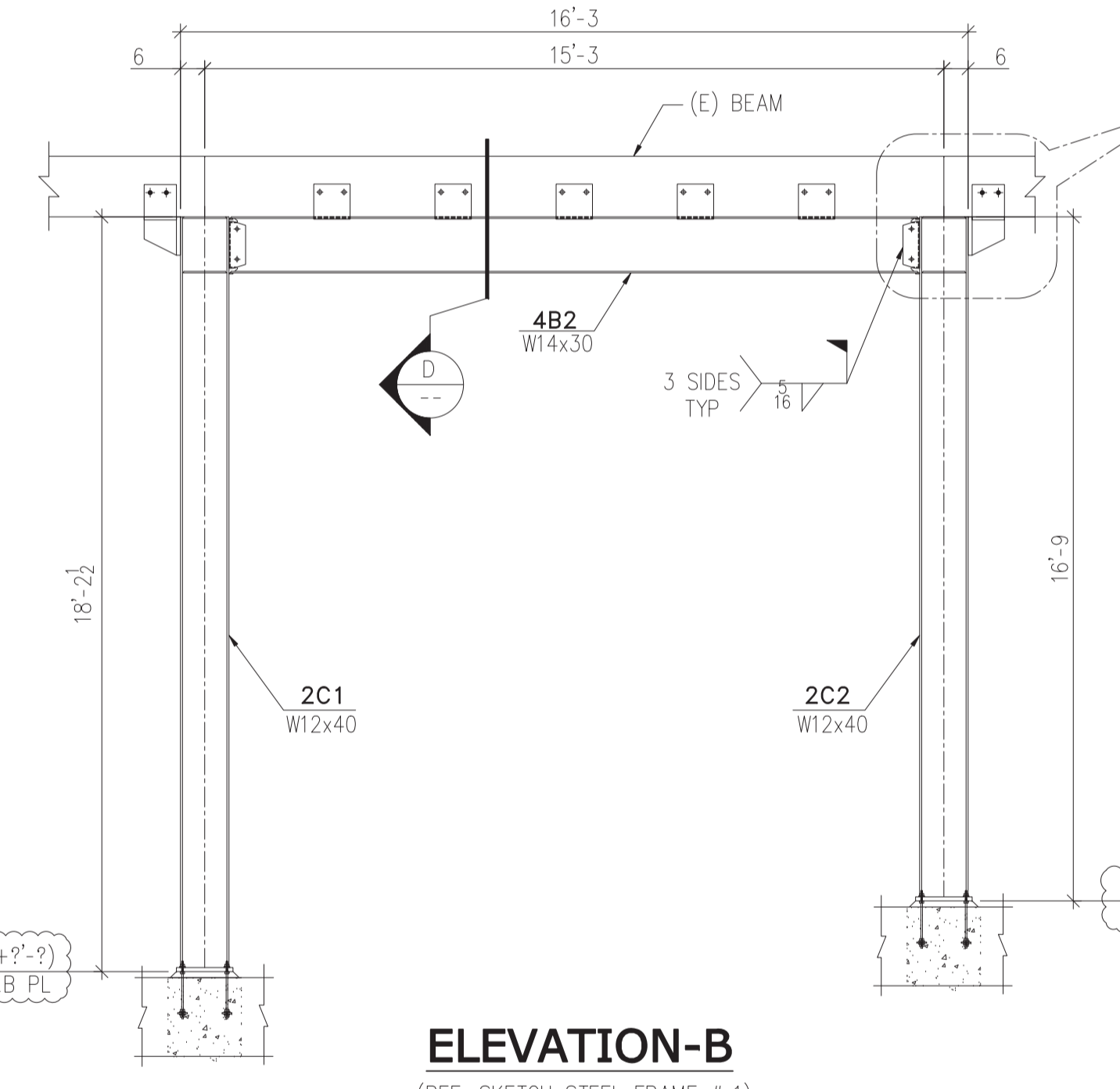


NOTE # 1
PLEASE PROVIDE BOTTOM OF
BASE PLATE ELEVATION

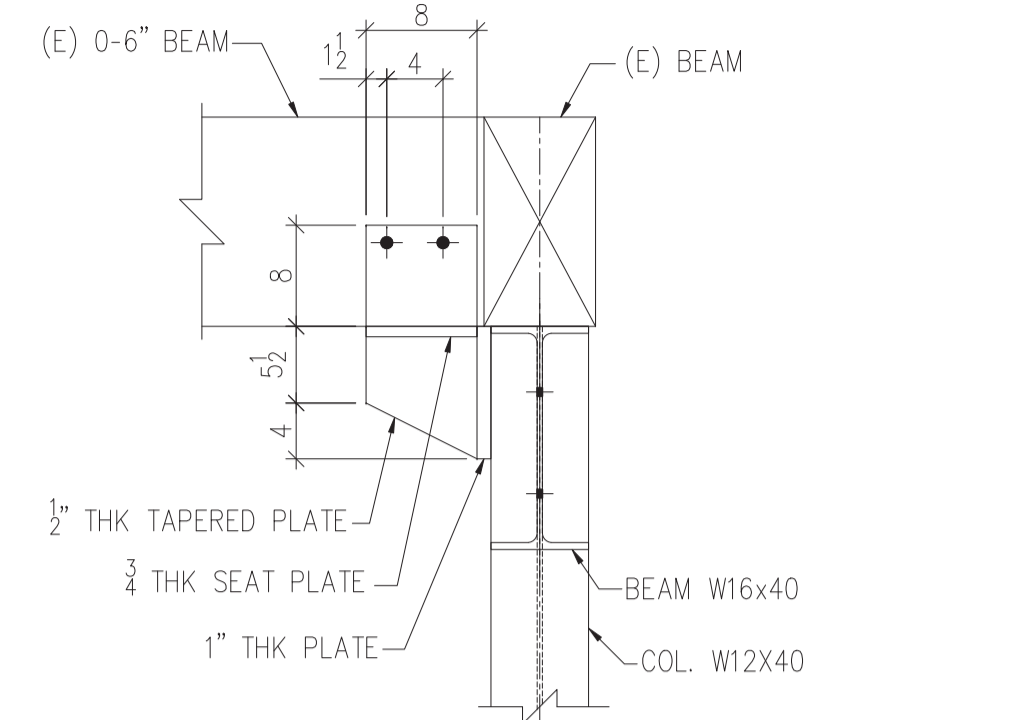
APPROVER:
PLEASE CONFIRM/ PROVIDE
ALL CLOUDED INFORMATION.



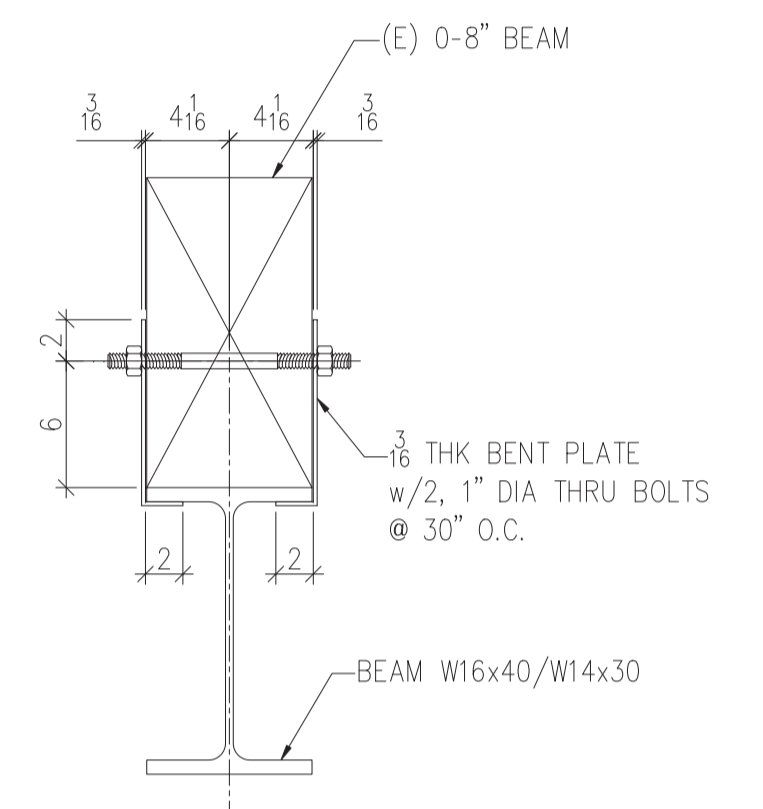
ELEVATION-A
(REF. SKETCH STEEL FRAME # 4)



ELEVATION-B
(REF. SKETCH STEEL FRAME # 1)

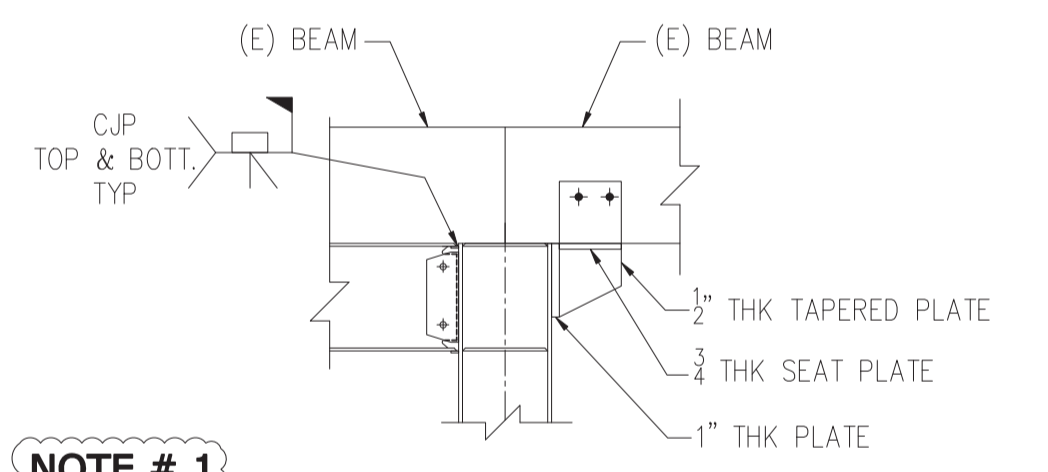


SECTION-C



SECTION-D

DET.-A



DETAIL-A

NOTE # 1

EL. (+9'-?)
B.O.B PL