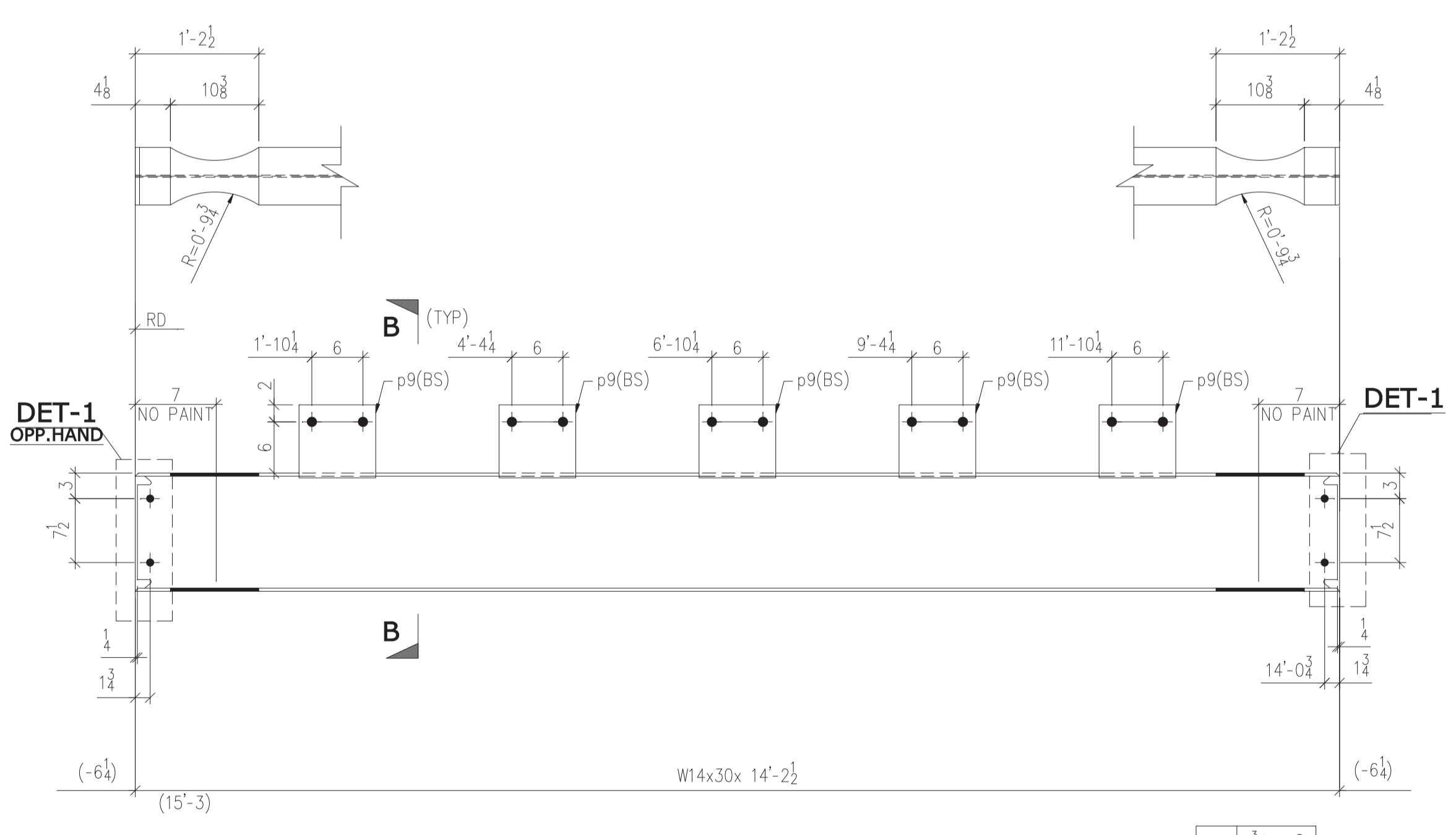
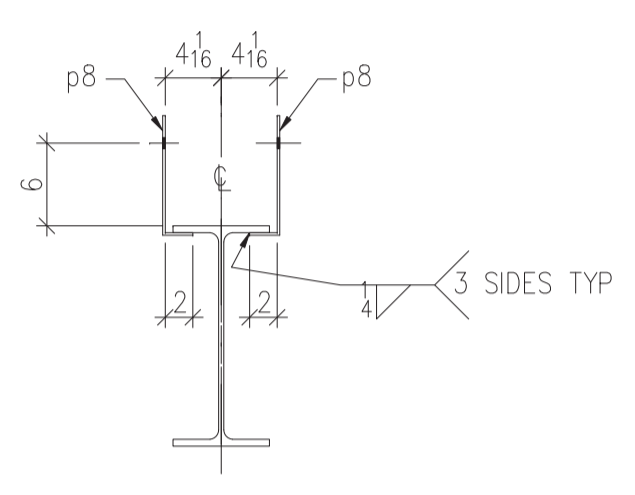


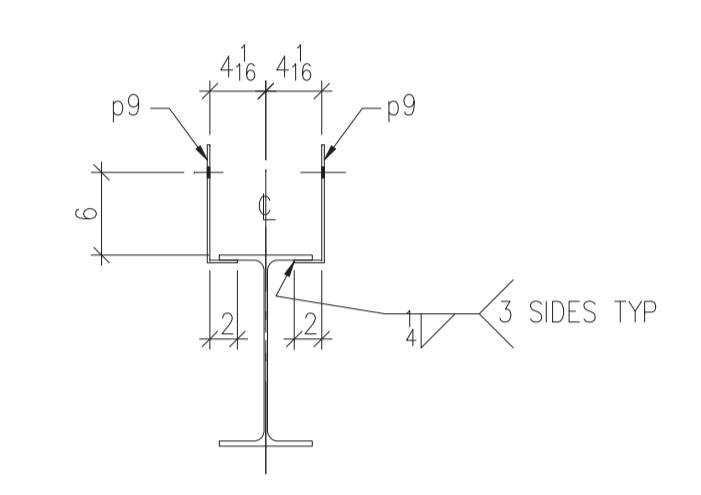
ONE - BEAM ~ 4B1



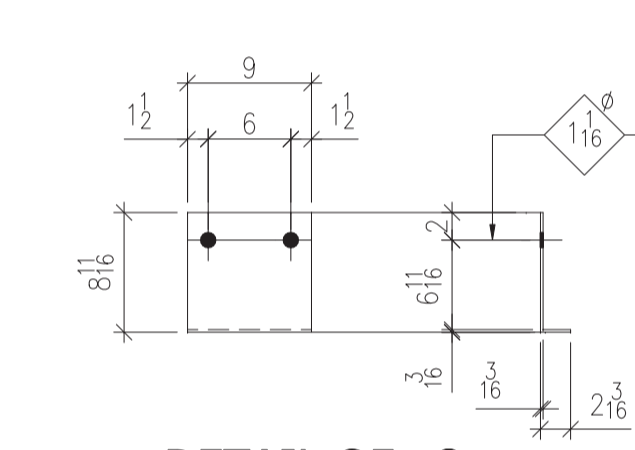
ONE - BEAM ~ 4B2



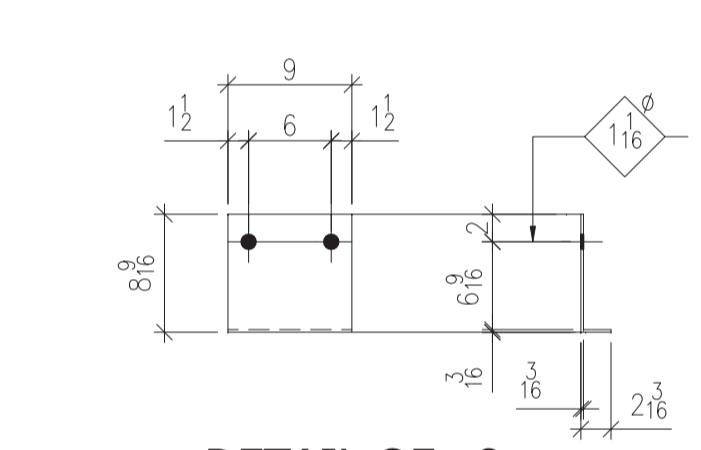
SECTION A-A



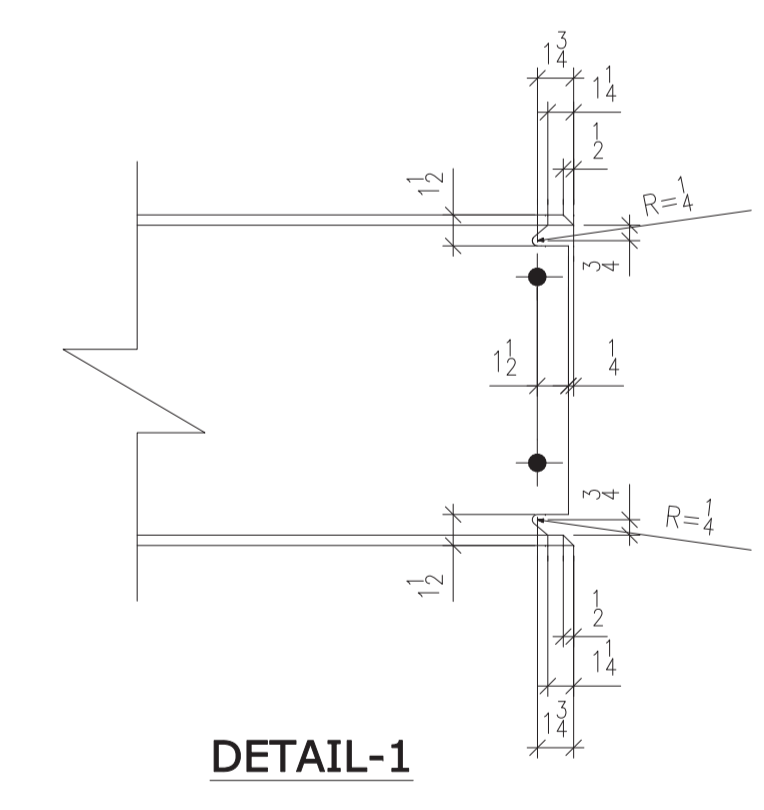
SECTION B-B



DETAIL OF p8



DETAIL OF p9



DETAIL-1

BILL OF MATERIAL						
MARK	QUANTITY	DESCRIPTION	LENGTH		MAT'L GRADE	REMARKS
			FT	IN		
4B1	ONE	W16x40	11	9 1/2	A992	
p8	8	PL.3/16x9	0	10 1/2	A572	BENT PLATE
4B2	ONE	W14x30	14	2 1/2	A992	
p9	10	PL.3/16x9	0	10 3/8	A572	BENT PLATE
FIELD BOLTS						
	8	3/4φ A325-X BOLTS	0	2		