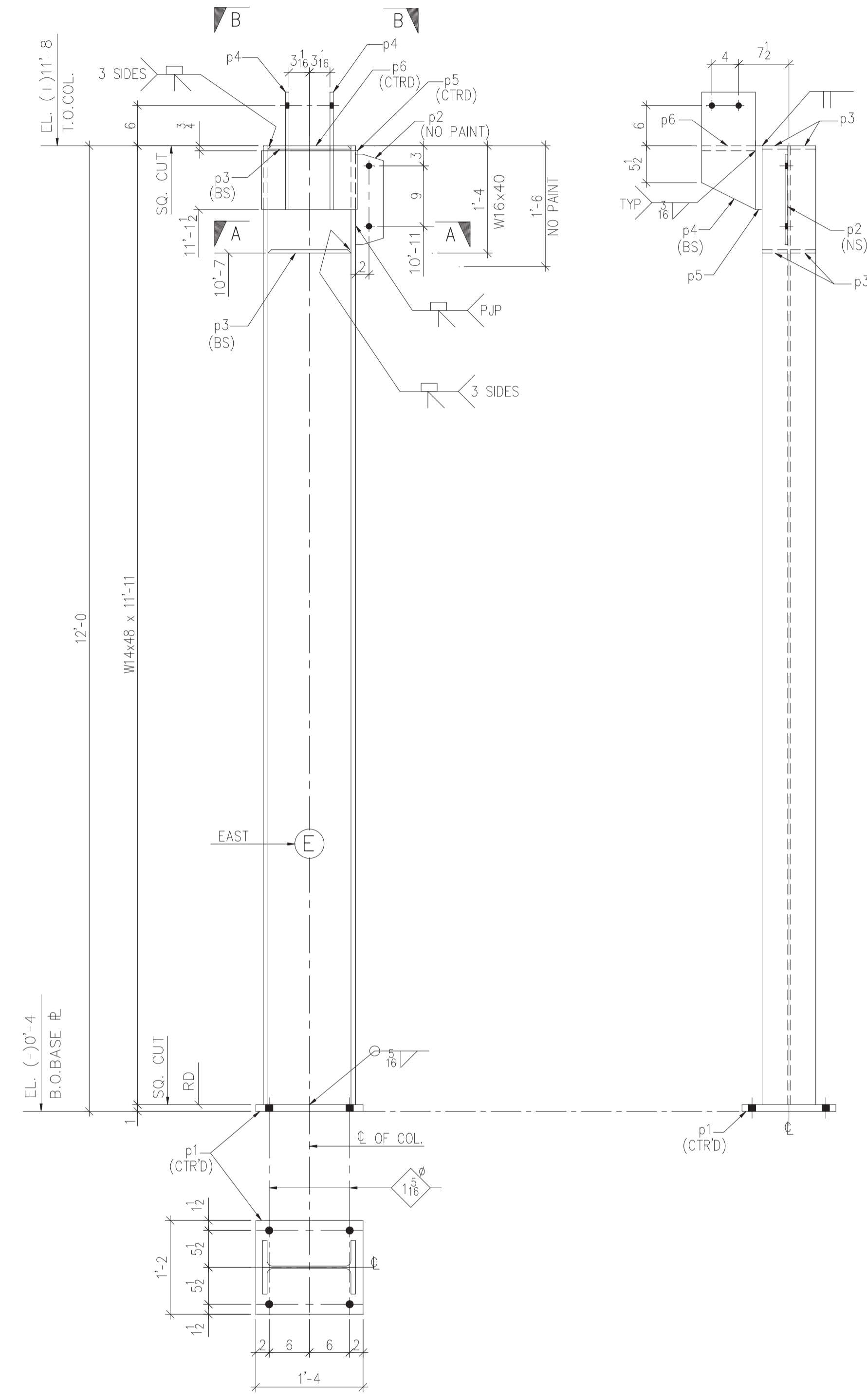
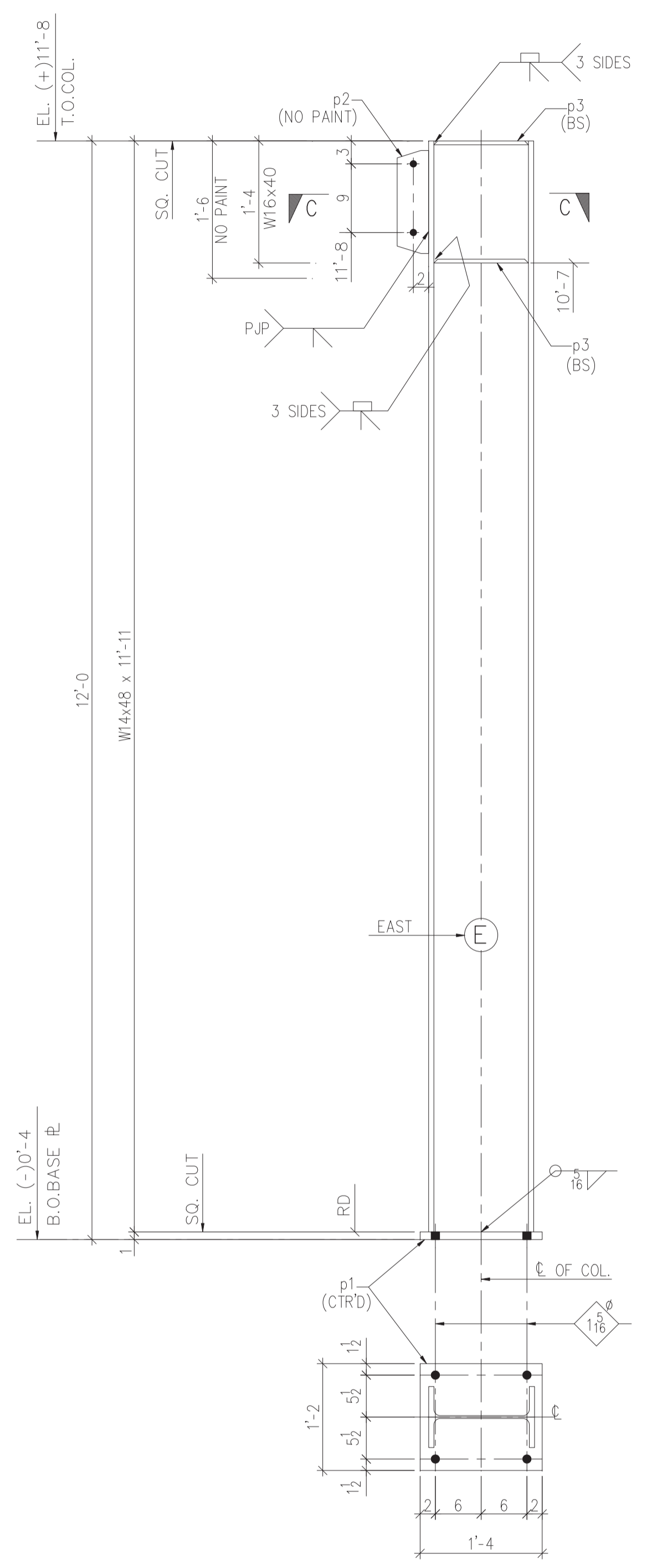


BILL OF MATERIAL						
MARK	QUANTITY	DESCRIPTION	LENGTH		MATL GRADE	REMARKS
			FT	IN		
3C1	ONE	W14x48	11	11	A992	SC2E
p1	ONE	PL.1x14	1	4	A36	
p2	ONE	PL.3/8x4 1/8	1	1 1/2	A572	NO PAINT
p3	4	PL.1/2x3 13/16	1	0 3/8	A572	
p4	2	PL.1/2x8	1	5 1/2	A572	
p5	ONE	PL.1x8 3/4	1	2 1/4	A572	PLAIN MATL
p6	ONE	PL.3/4x6 1/8	0	8	A572	PLAIN MATL
3C2	ONE	W14x48	11	11	A992	SC2E
p1	ONE	PL.1x14	1	4	A36	
p2	ONE	PL.3/8x4 1/8	1	1 1/2	A572	NO PAINT
p3	4	PL.1/2x3 13/16	1	0 3/8	A572	



ONE - COLUMN ~ 3C1



ONE - COLUMN ~ 3C2

