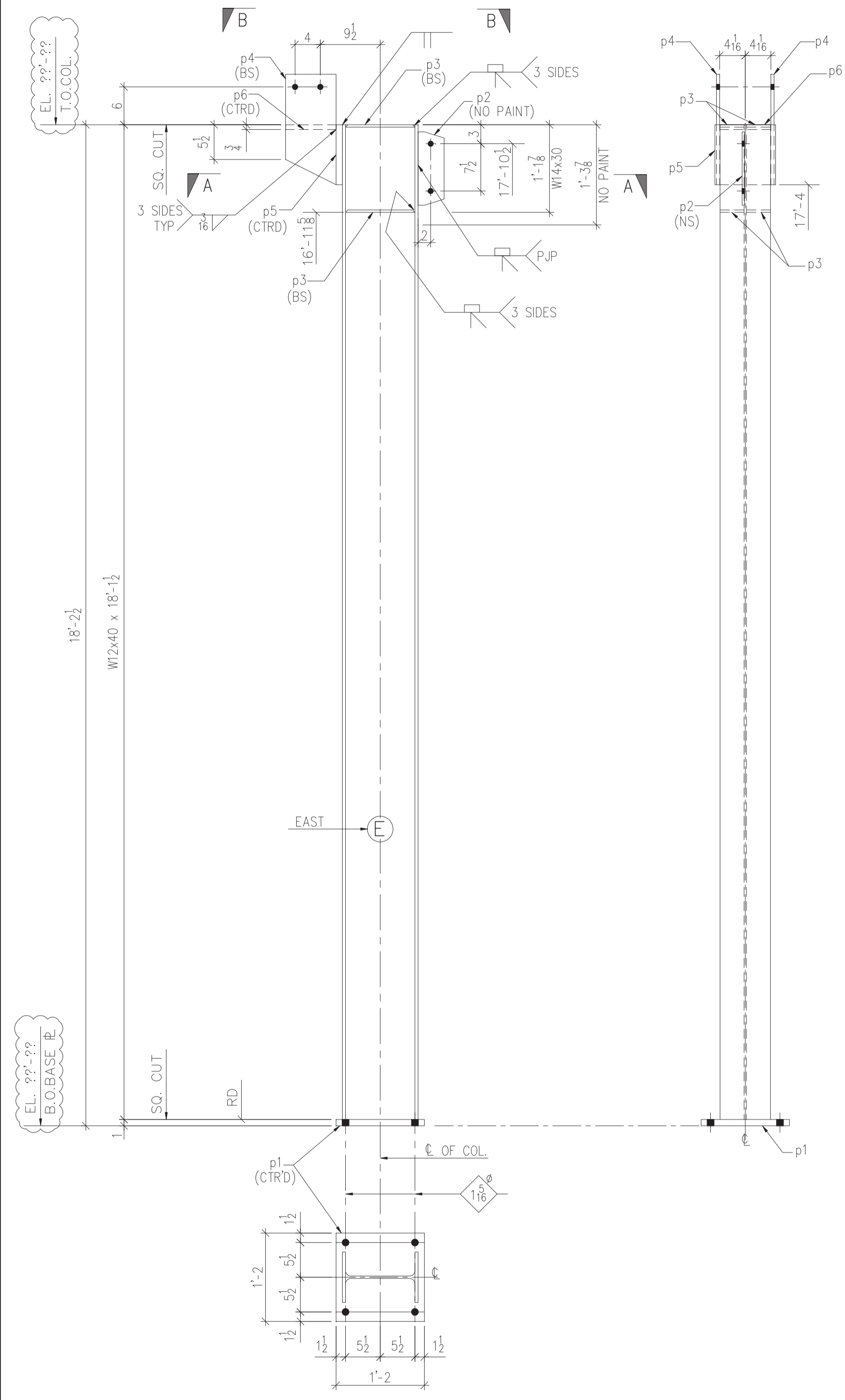
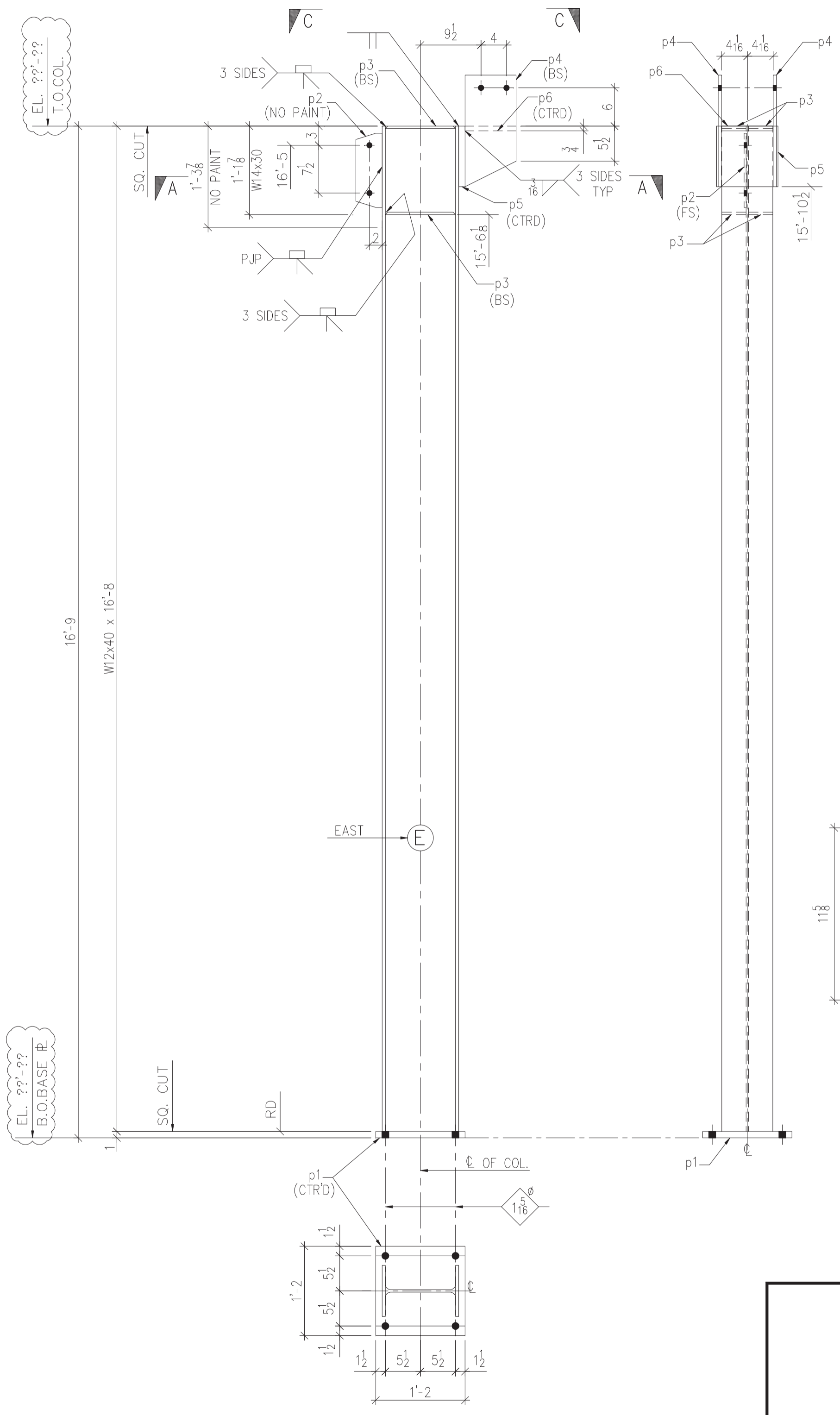


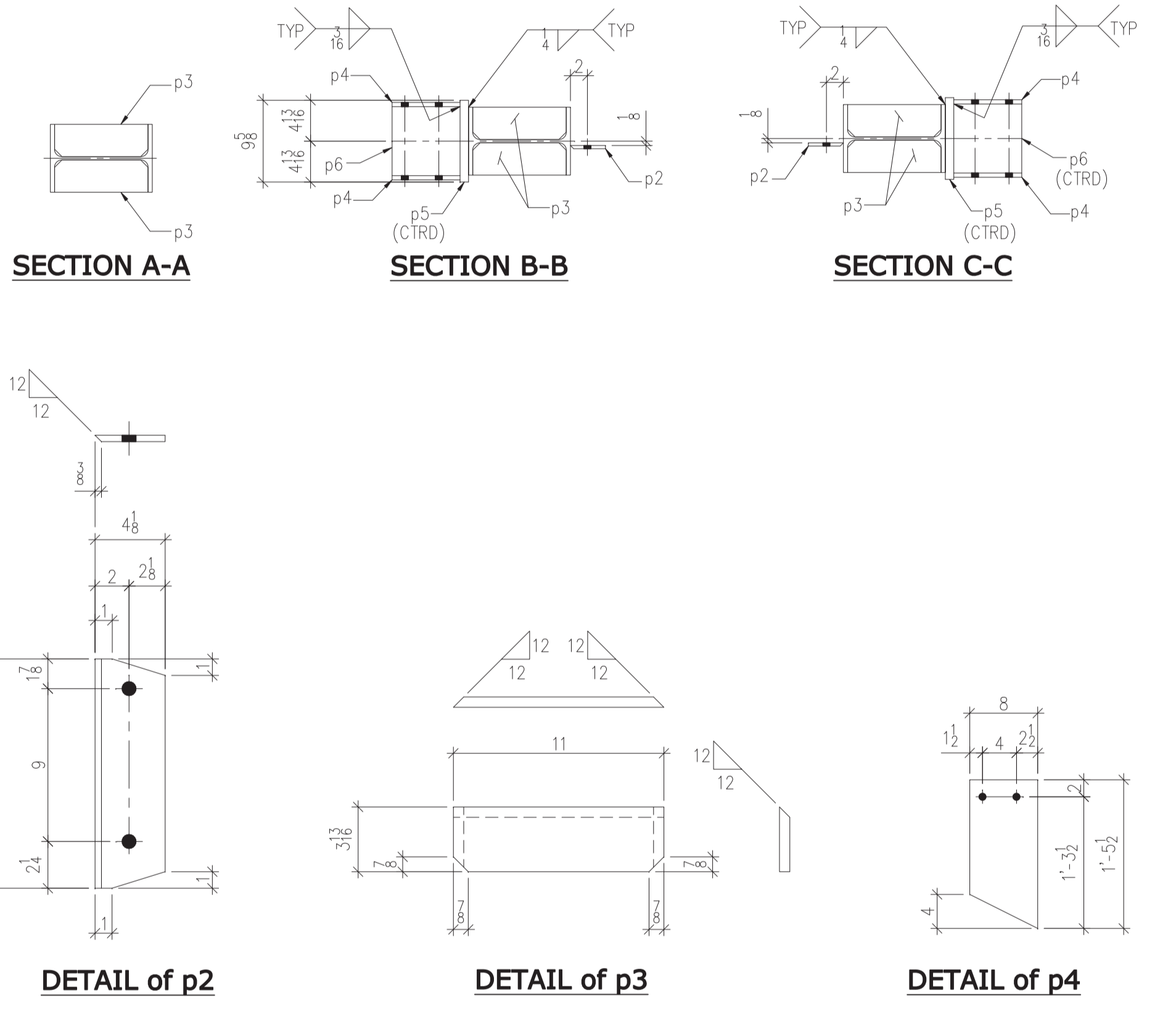
BILL OF MATERIAL						
MARK	QUANTITY	DESCRIPTION	LENGTH		MATL GRADE	REMARKS
			FT	IN		
2C1	ONE	W12x40	18	1 1/2	A992	SC2E
p1	ONE	PL.1x14	1	2	A36	
p2	ONE	PL.3/8x4 1/8	0	11 5/8	A572	NO PAINT
p3	4	PL.1/2x3 13/16	0	11	A572	
p4	2	PL.1/2x8	1	5 1/2	A572	
p5	ONE	PL.1x9 1/2	0	9 5/8	A572	PLAIN MAT'L
p6	ONE	PL.3/4x8	0	8 1/8	A572	PLAIN MAT'L
2C2	ONE	W12x40	16	8	A992	SC2E
p1	ONE	PL.1x14	1	2	A36	
p2	ONE	PL.3/8x4 1/8	0	11 5/8	A572	NO PAINT
p3	4	PL.1/2x3 13/16	0	11	A572	
p4	2	PL.1/2x8	1	5 1/2	A572	
p5	ONE	PL.1x9 1/2	0	9 5/8	A572	PLAIN MAT'L
p6	ONE	PL.3/4x8	0	8 1/8	A572	PLAIN MAT'L



ONE - COLUMN ~ 2C1



ONE - COLUMN ~ 2C2



APPROVER:
PLEASE PROVIDE B.O. BASE PL./T.O.COL. ELEVATION