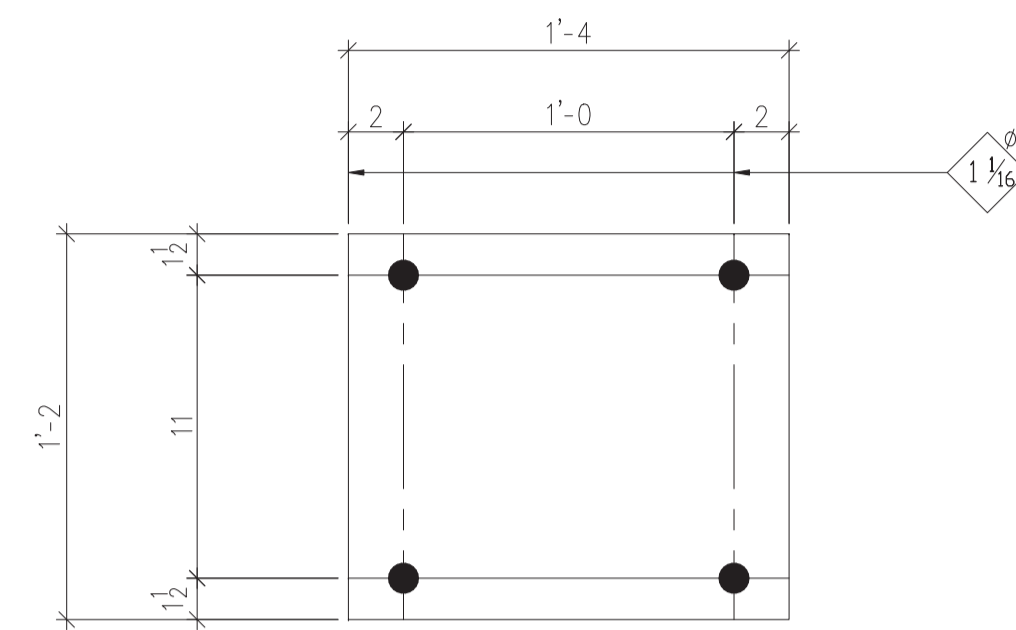
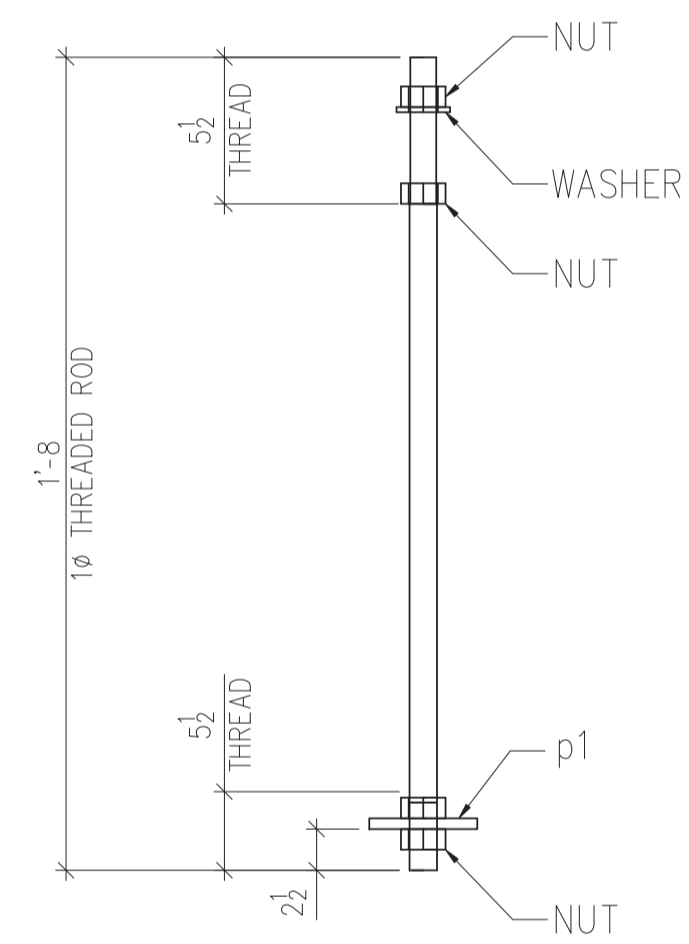


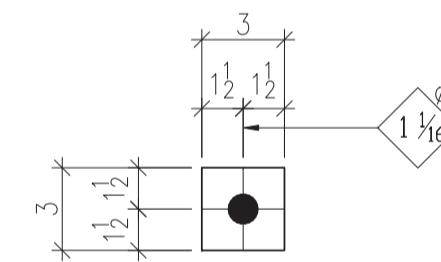
**2 - LEVELING PLATES ~ 1LP1**



**2 - LEVELING PLATES ~ 1LP2**



**16 - ANCHOR BOLTS ~ 1AB1**



**DETAIL OF p1**

BILL OF MATERIAL						
MARK	QUANTITY	DESCRIPTION	LENGTH		TOTAL WEIGHT	REMARKS
			FT	IN		
1LP1	2	PL. 1/4 x14	1	2		
1LP2	2	PL. 1/4 x14	1	4		
1AB1	16	1Ø ANCHOR BOLTS	1	8		w/NUT & WASHER F1554
p1	16	PL 1/2x3	0	3		GR-50