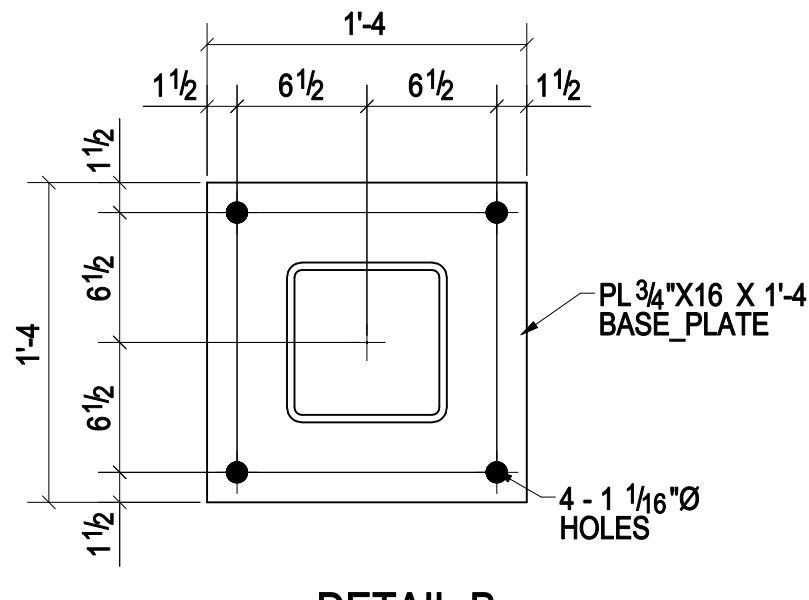
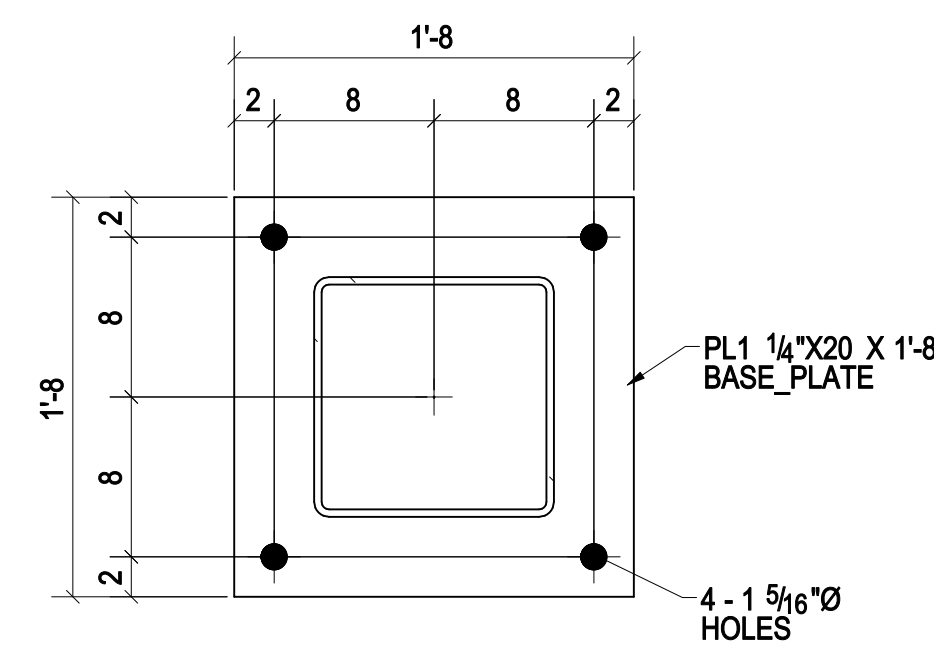


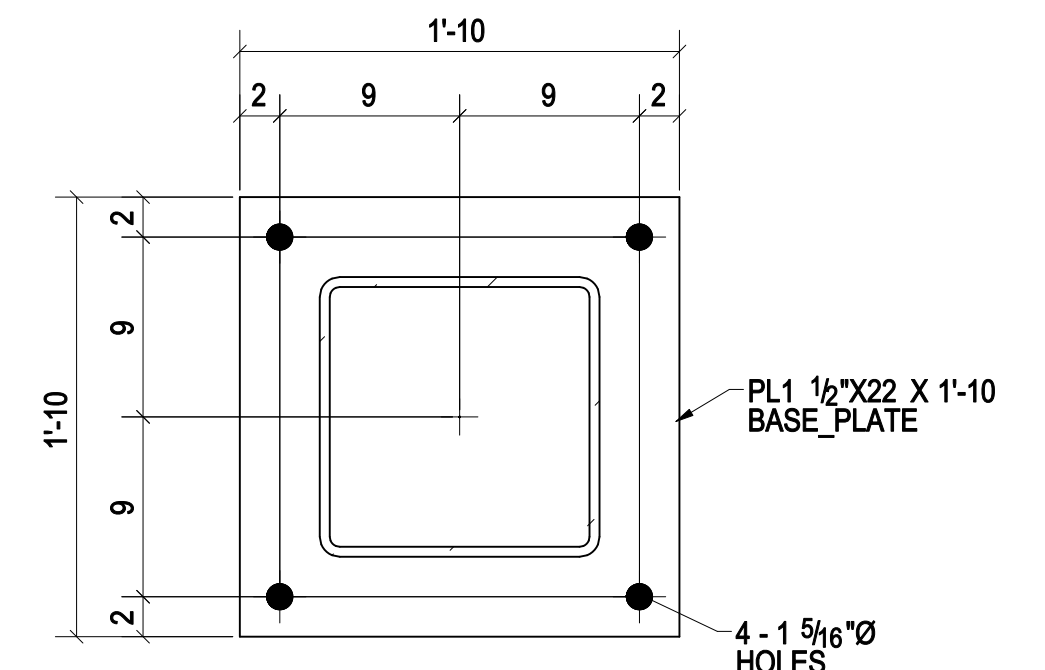
DETAIL-A
(6 LOCATIONS)



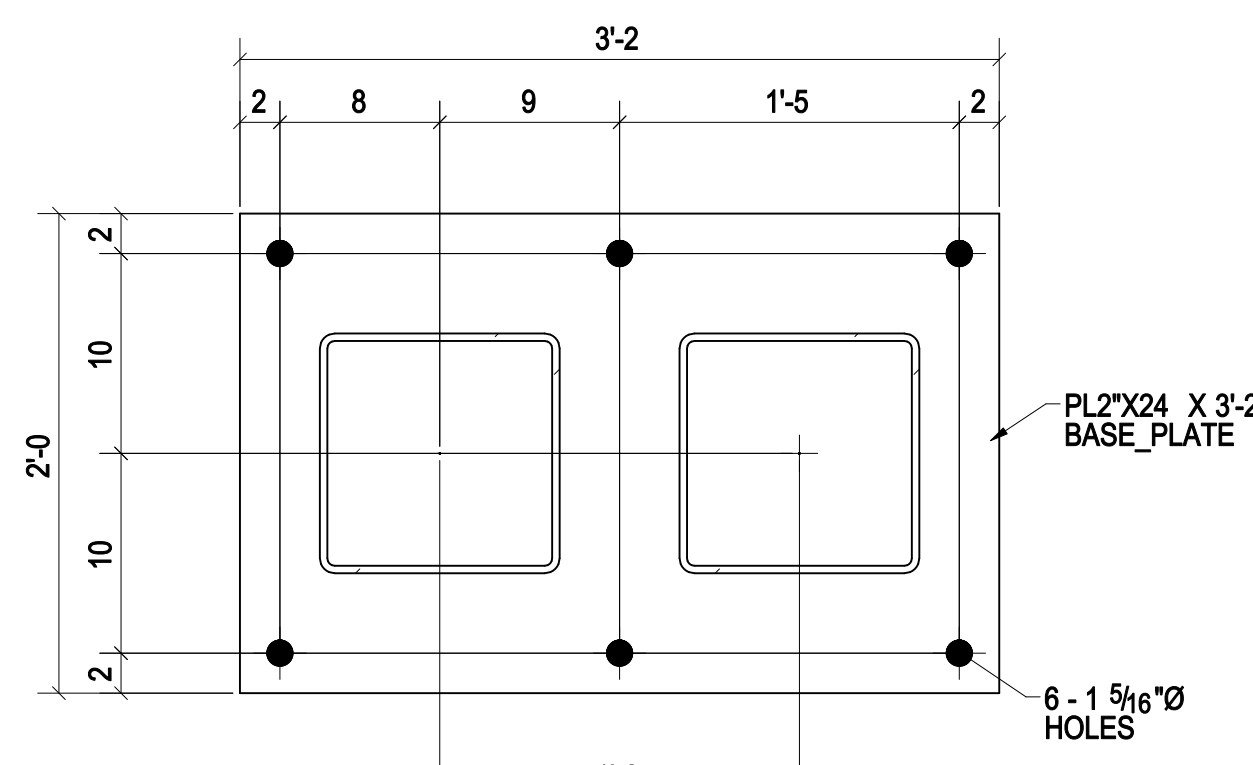
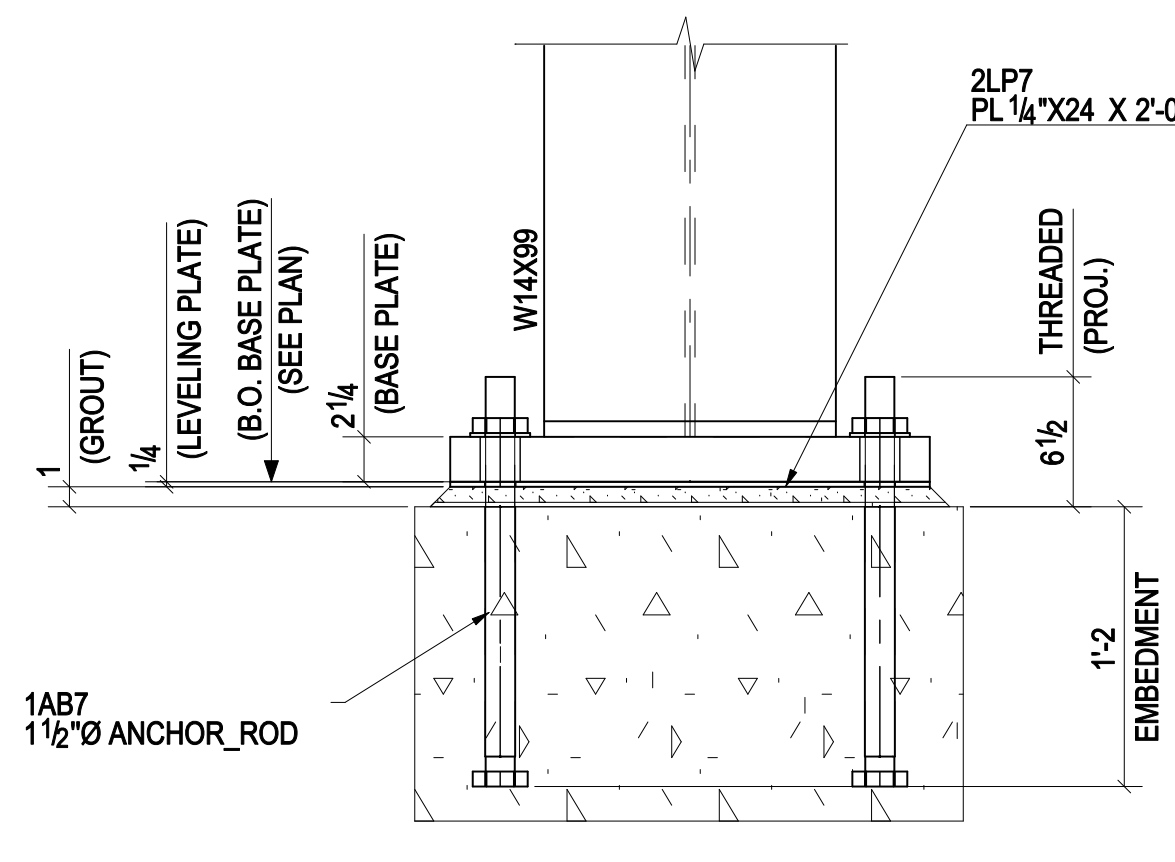
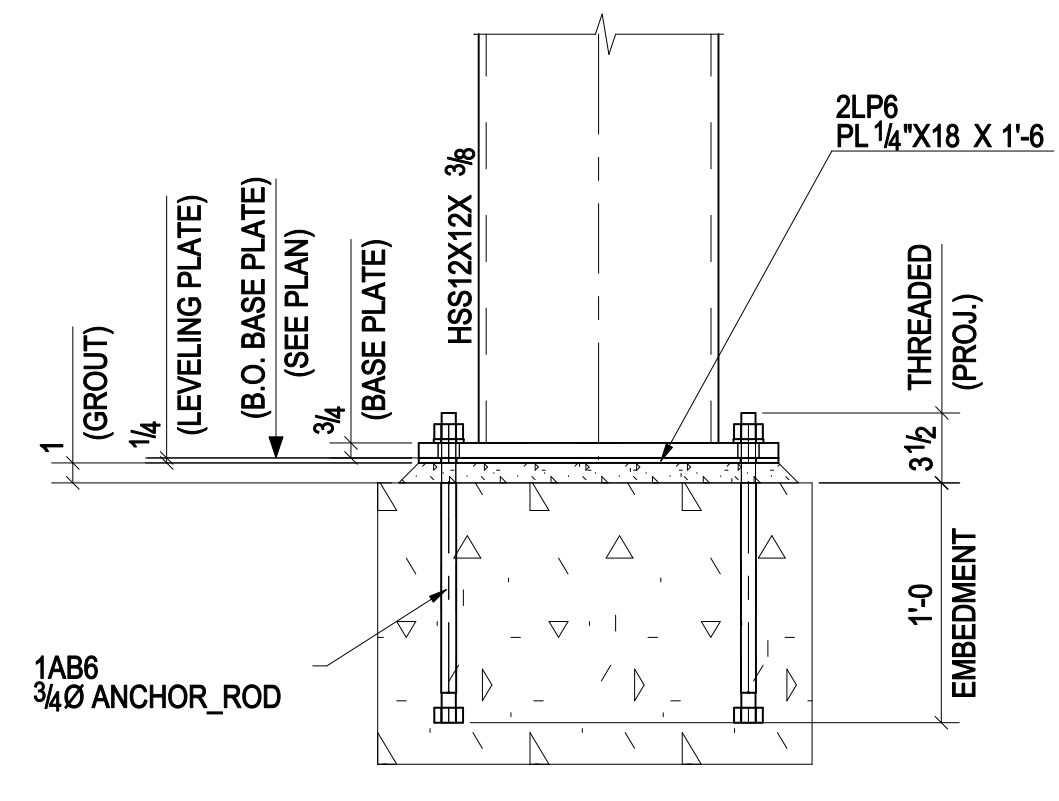
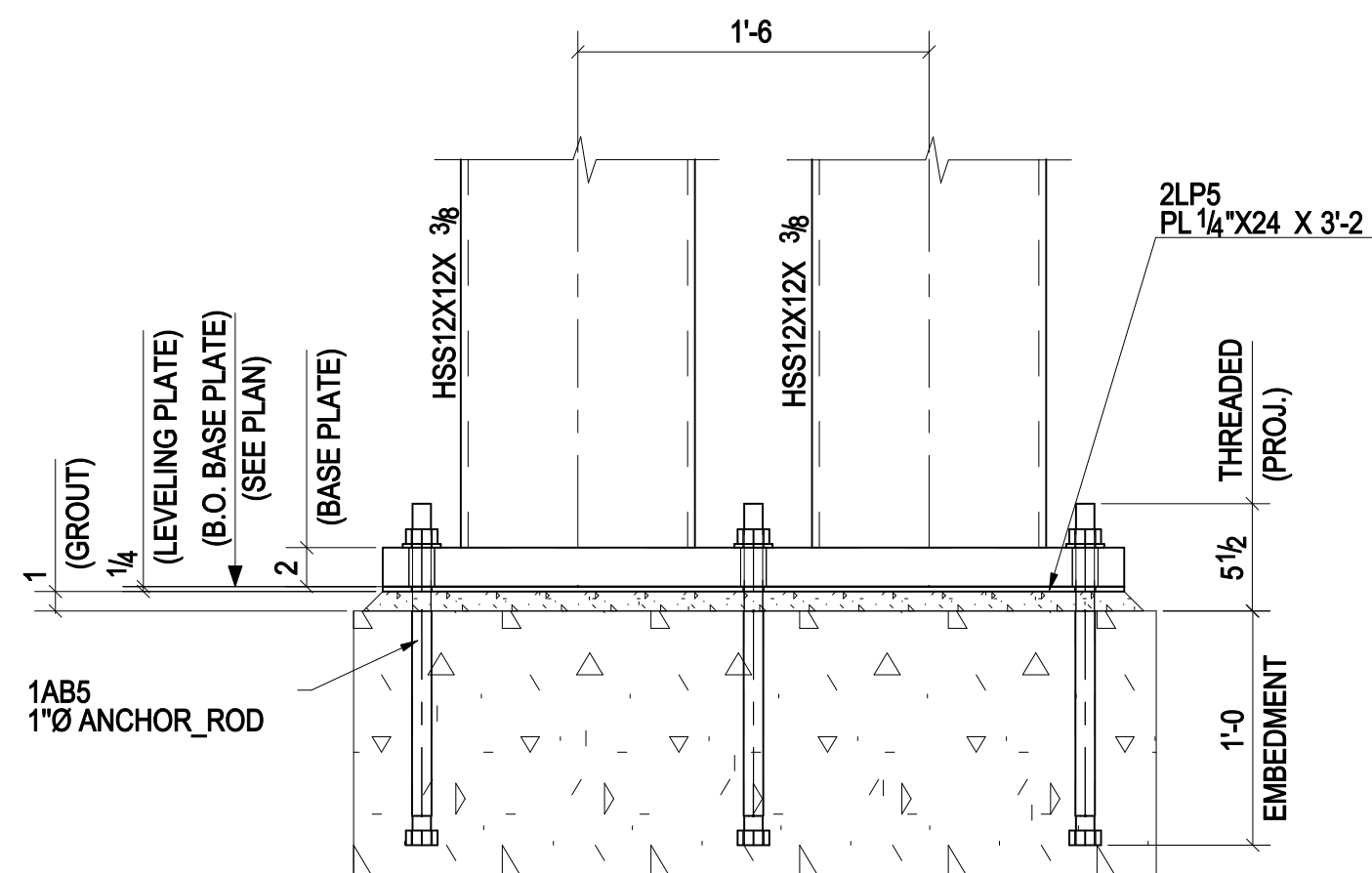
DETAIL-B
(10 LOCATIONS)



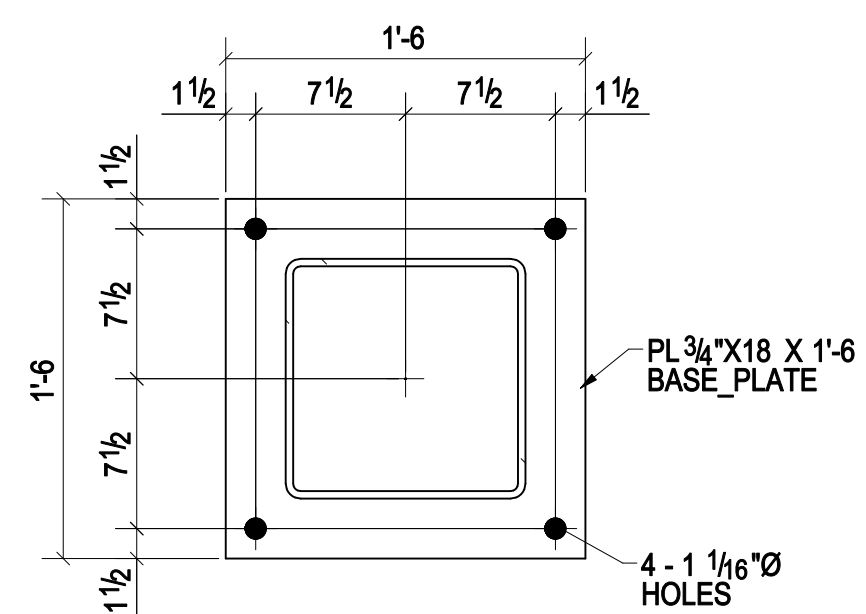
DETAIL-C
(4 LOCATIONS)



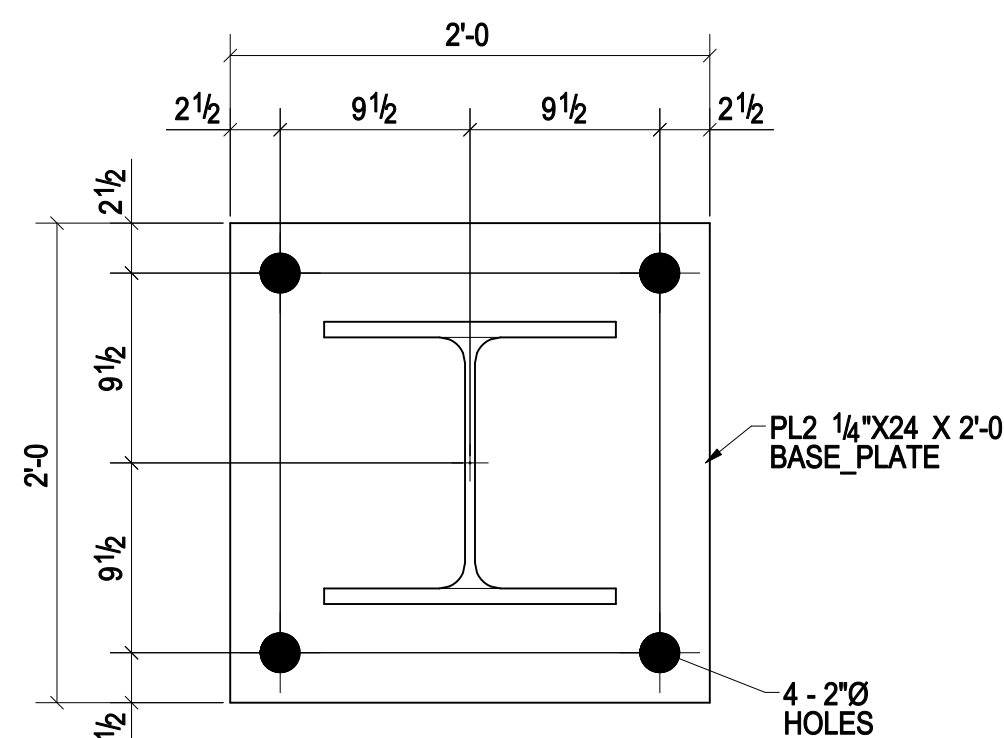
DETAIL-D
(2 LOCATIONS)



DETAIL-E
(4 LOCATIONS)



DETAIL-F
(43 LOCATIONS)



DETAIL-G
(24 LOCATIONS)

FOR FIELD							SHOP DRAWING DISCLAIMER	
PRINT RECORD							ALL INFORMATION PROVIDED ON THESE DRAWINGS WAS PREPARED IN ACCORDANCE TO THE CONTRACT DOCUMENTS AND THE SPECIFICATIONS. ALL DIMENSIONS SHOWN ARE DUE TO LACK OF INFORMATION PROVIDED BY THE CONTRACTOR, ARCHITECT, & ENGINEER. BEFORE WE CAN START FABRICATING ANY MATERIAL, PLEASE RESPOND WITH THIS INFORMATION BY MARKING UP OUR SHOP DRAWINGS.	
DATE	APP.	SHOP	FIELD	DIST.	COORD.	F.C.	OFFICE	
MATERIAL: A36 UNO		HOLE SIZE: 13/16" Ø UNO		BOLT GRADE: A325-N UNO		MINIMUM WELD: 3/16"		ELECTRODE: E-70XX
ARCH:							JOB NAME & LOCATION:	
ENGR:								
CONTR:								
REF:							JOB:	
DRAWN BY: RN				CHECKED BY: RKB			SHEET: AB3	
SECTION & DETAILS								
MODIFIED DATE:							LAST PLOT DATE:	
							CAD FILE NAME: 1	

