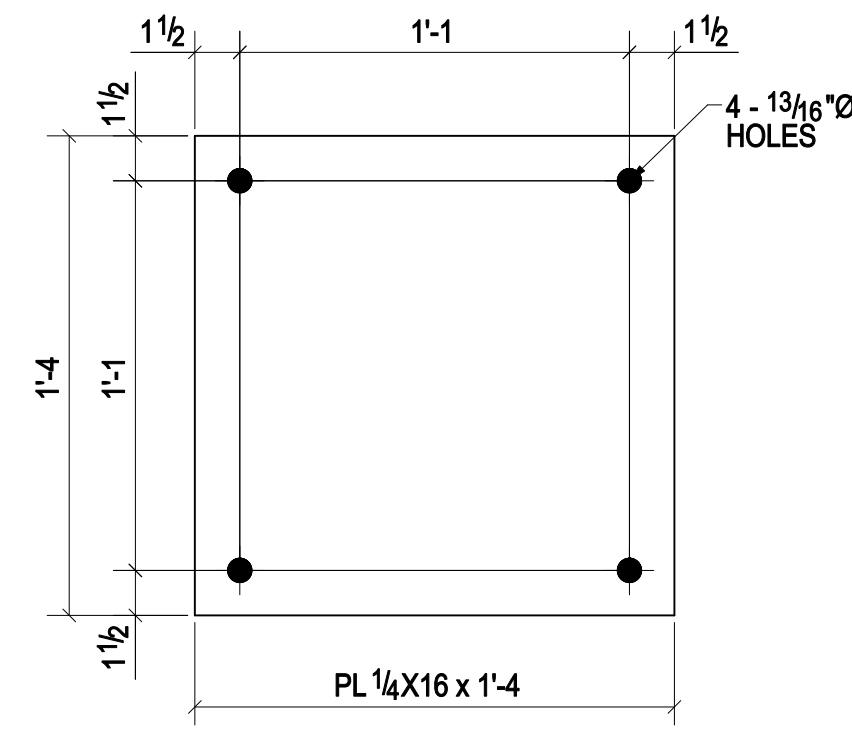
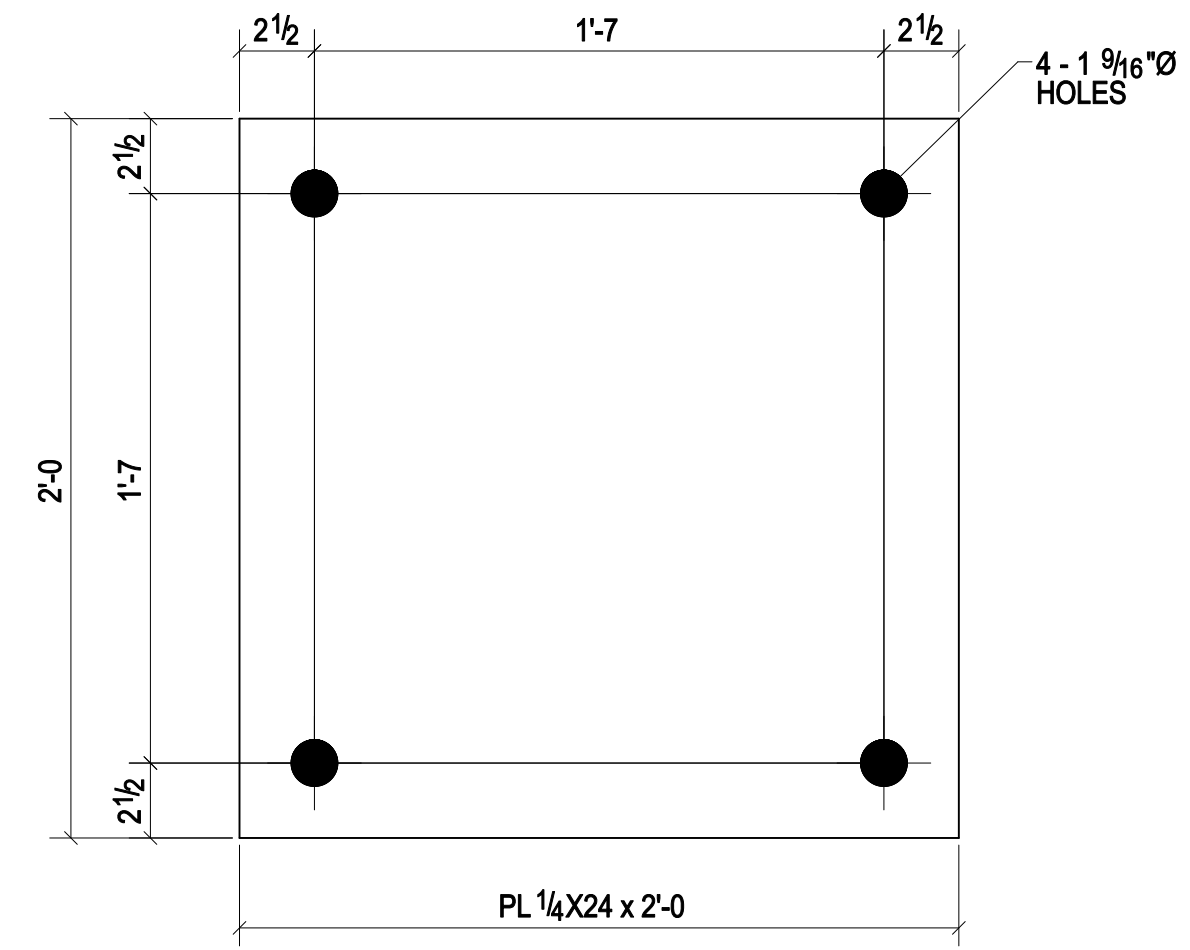


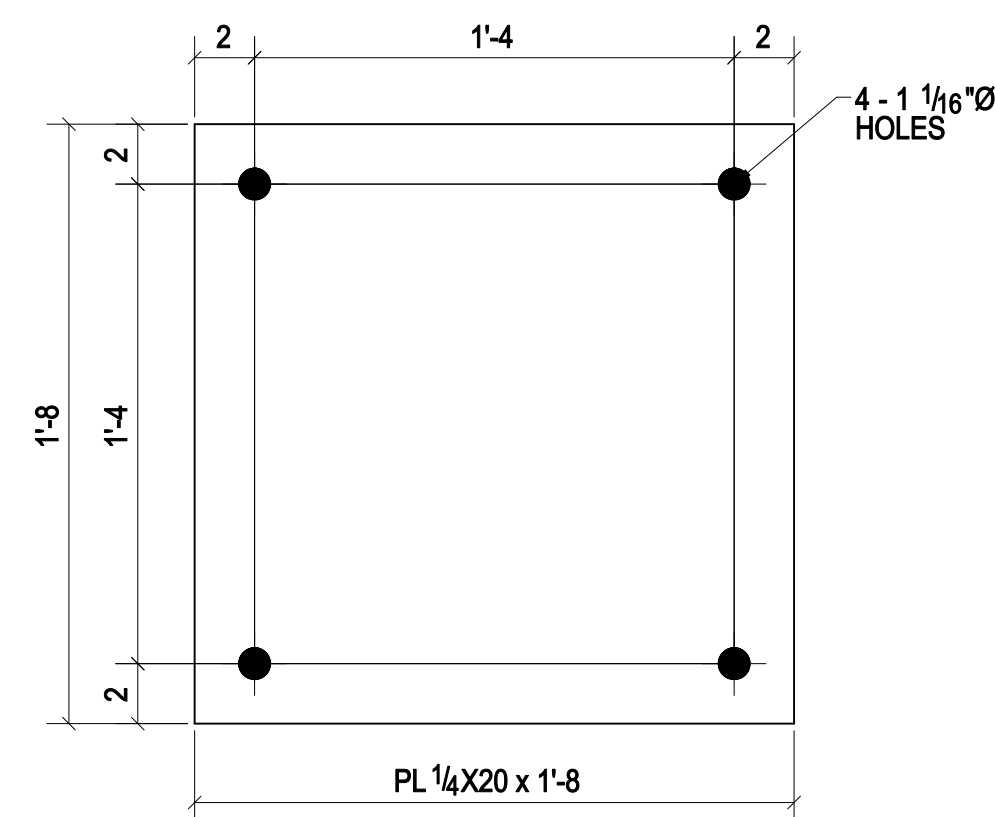
6 - LEVELING_PLATES - 2LP1



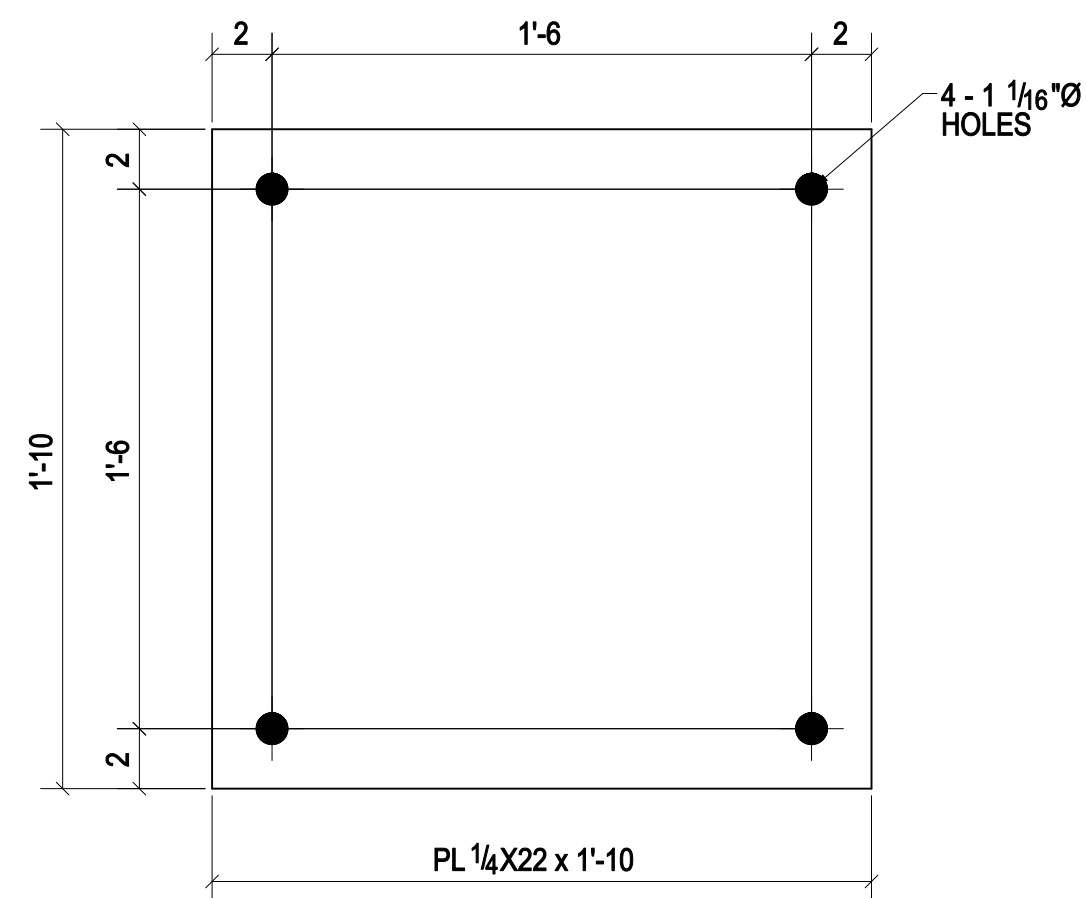
10 - LEVELING_PLATES - 2LP2



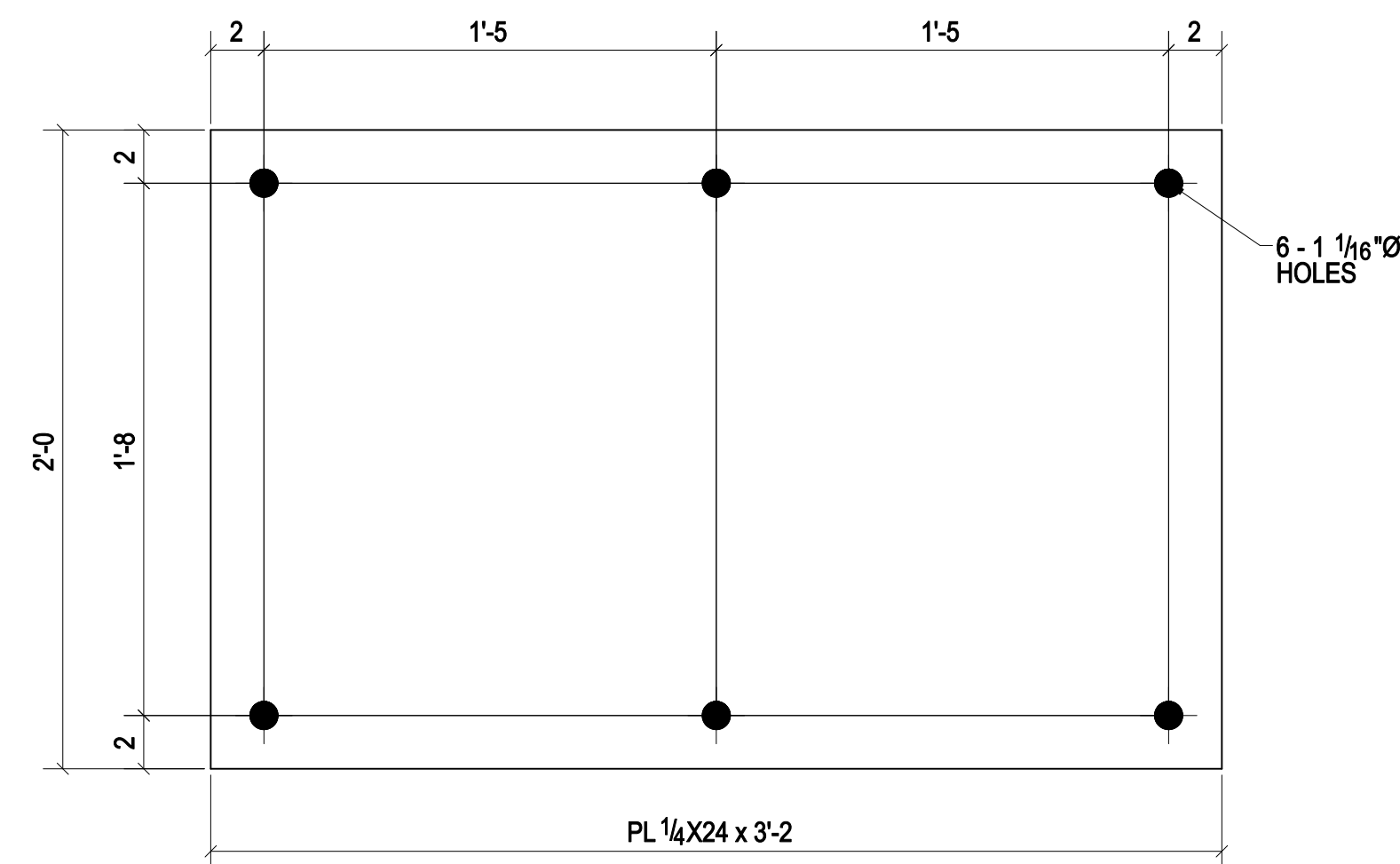
24 - LEVELING_PLATES - 2LP7



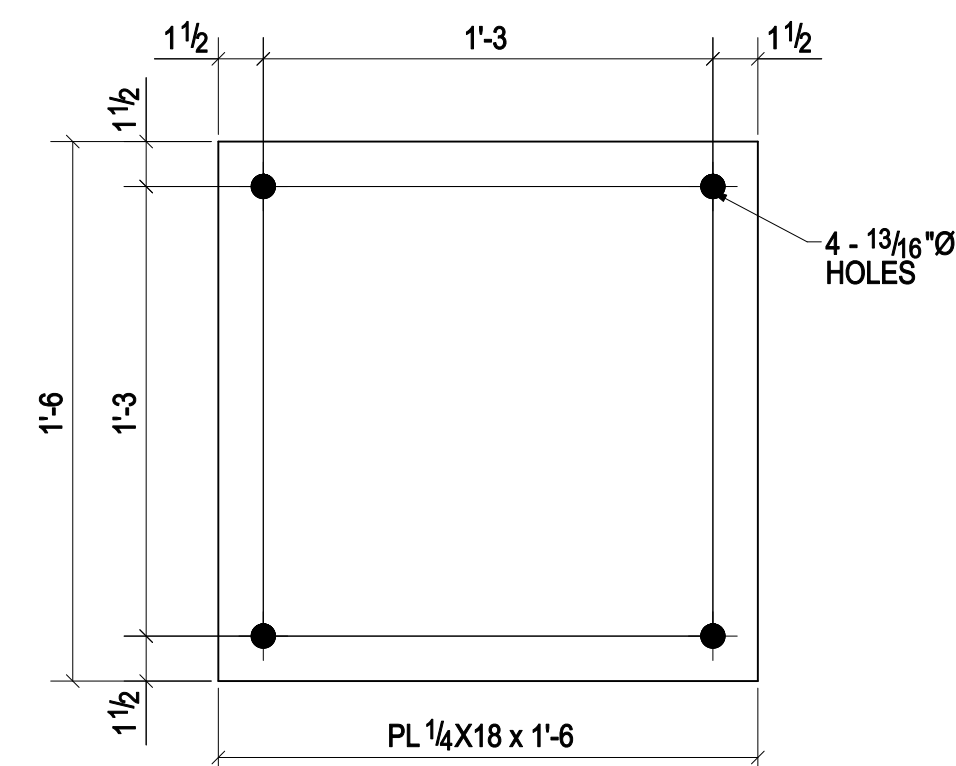
4 - LEVELING_PLATES - 2LP3



2 - LEVELING_PLATES - 2LP4



4 - LEVELING_PLATES - 2LP5



43 - LEVELING_PLATES - 2LP6

BILL OF MATERIAL

SHIP MARK	PIECE MARK	QTY	DESCRIPTION	LENGTH	REMARKS
		6	PL 1/4 X 20"	1-8"	ASB
		10	PL 1/4 X 16"	1-4"	ASB
		4	PL 1/4 X 20"	1-8"	ASB
		2	PL 1/4 X 22"	1-10"	ASB
		4	PL 1/4 X 24"	3-2"	ASB
		43	PL 1/4 X 18"	1-6"	ASB
		24	PL 1/4 X 24"	2-0"	ASB

FOR FABRICATION						
PRINT RECORD						
DATE	APP.	SHOP	FIELD	DIST.	COORD.	F.C. OFFICE
<p>SHOP DRAWING DISCLAIMER</p> <p>ALL INFORMATION PROVIDED ON THESE DRAWINGS WAS PREPARED IN ACCORDANCE TO THE CONTRACT DOCUMENTS AND THE SPECIFICATIONS. ALL DIMENSIONS SHOWN ARE DUE TO LACK OF INFORMATION PROVIDED BY THE CONTRACT DOCUMENTS OR SPECIFICATIONS, BUT PREPARED WITH ALL THE INFORMATION AVAILABLE TO US. WE MUST HAVE THESE DIMENSIONS ANSWERED BY THE GENERAL CONTRACTOR, ARCHITECT, & ENGINEER, BEFORE WE CAN START FABRICATING ANY MATERIAL. PLEASE RESPOND WITH THIS INFORMATION BY MARKING UP OUR SHOP DRAWINGS.</p>						
MATERIAL:	HOLE SIZE:	BOLT GRADE:	MINIMUM WELD:	ELECTRODE:		
A36 UNO	13/16" Ø UNO	A325-N UNO	3/16"	E-70XX		
ARCH:			JOB NAME & LOCATION:			
ENGR:						
CONTR:						
REF:			JOB:			
DRAWN BY: RN			CHECKED BY: RKB		SHEET: 2	
SHEET TITLE: LEVELING_PLATE			MODIFIED DATE:		LAST PLOT DATE:	
			CAD FILE NAME: 1			

