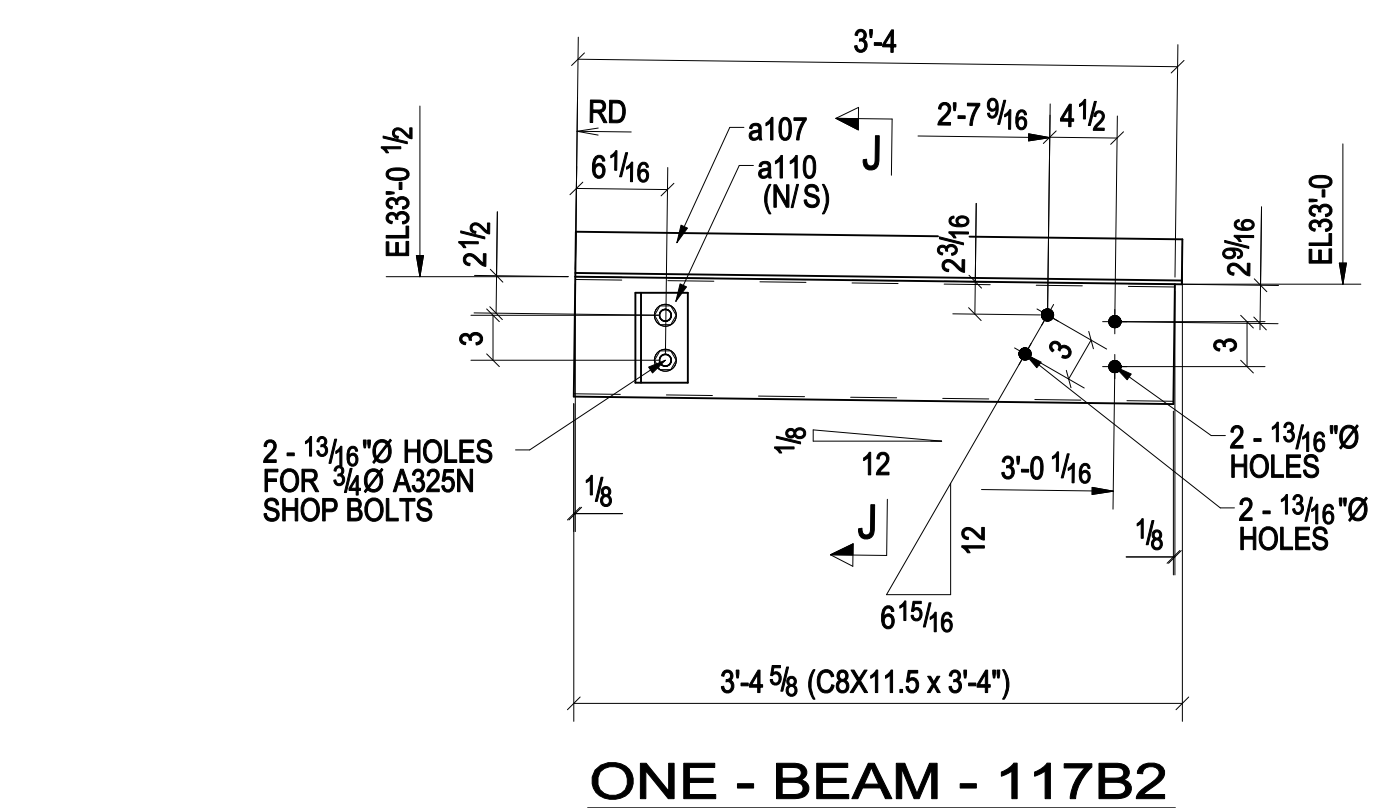
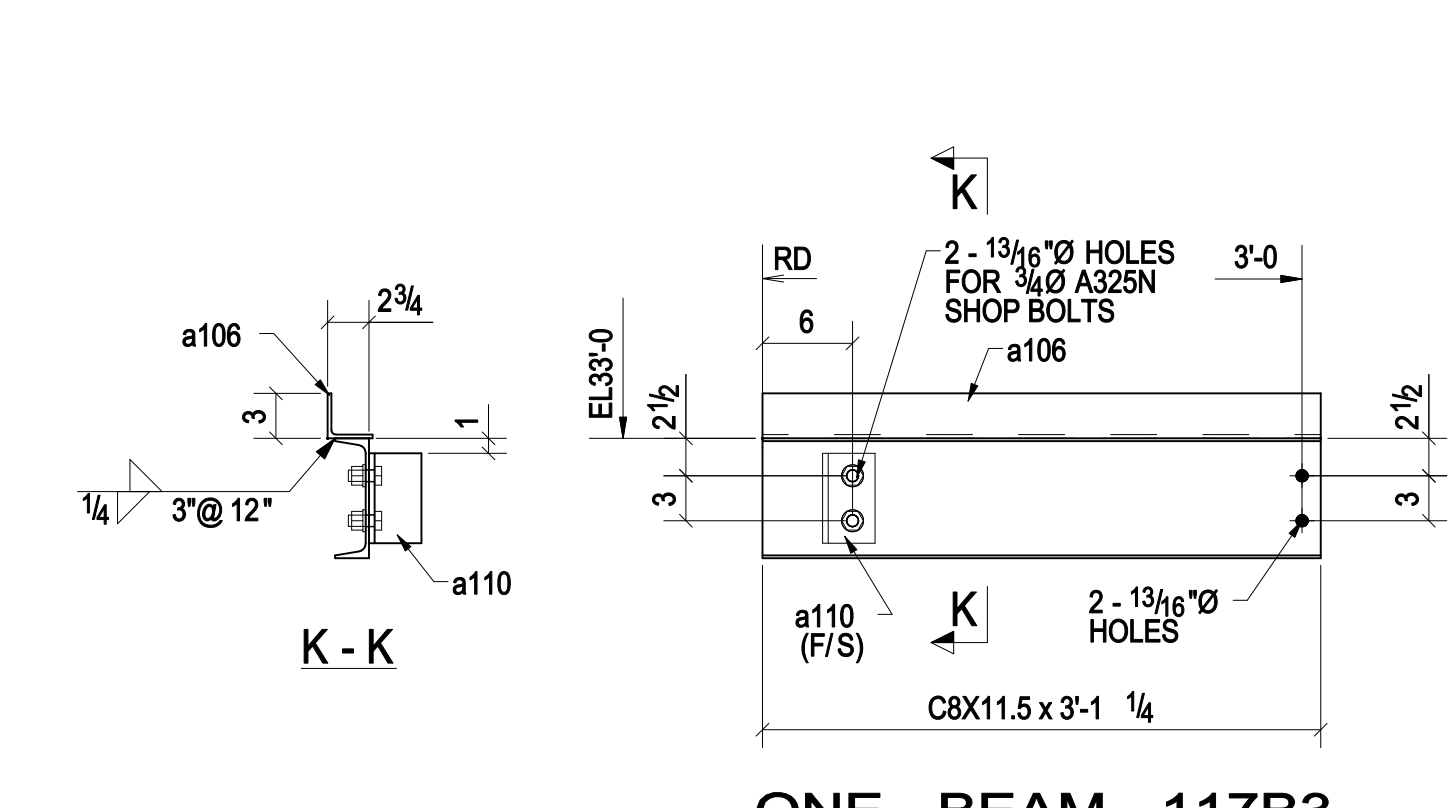


BILL OF MATERIAL

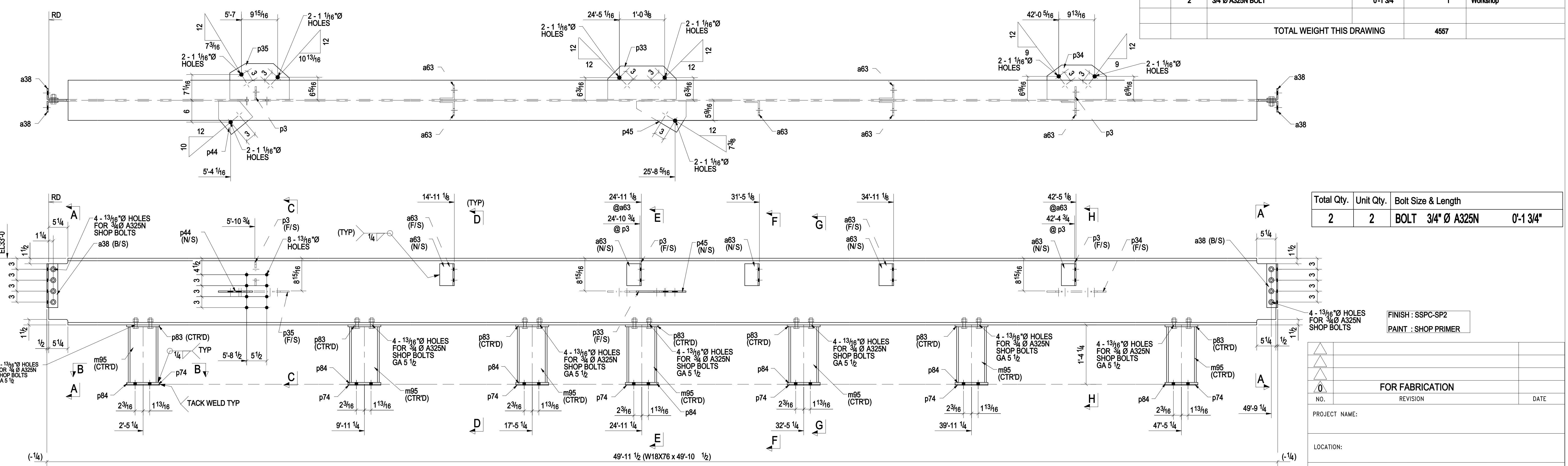
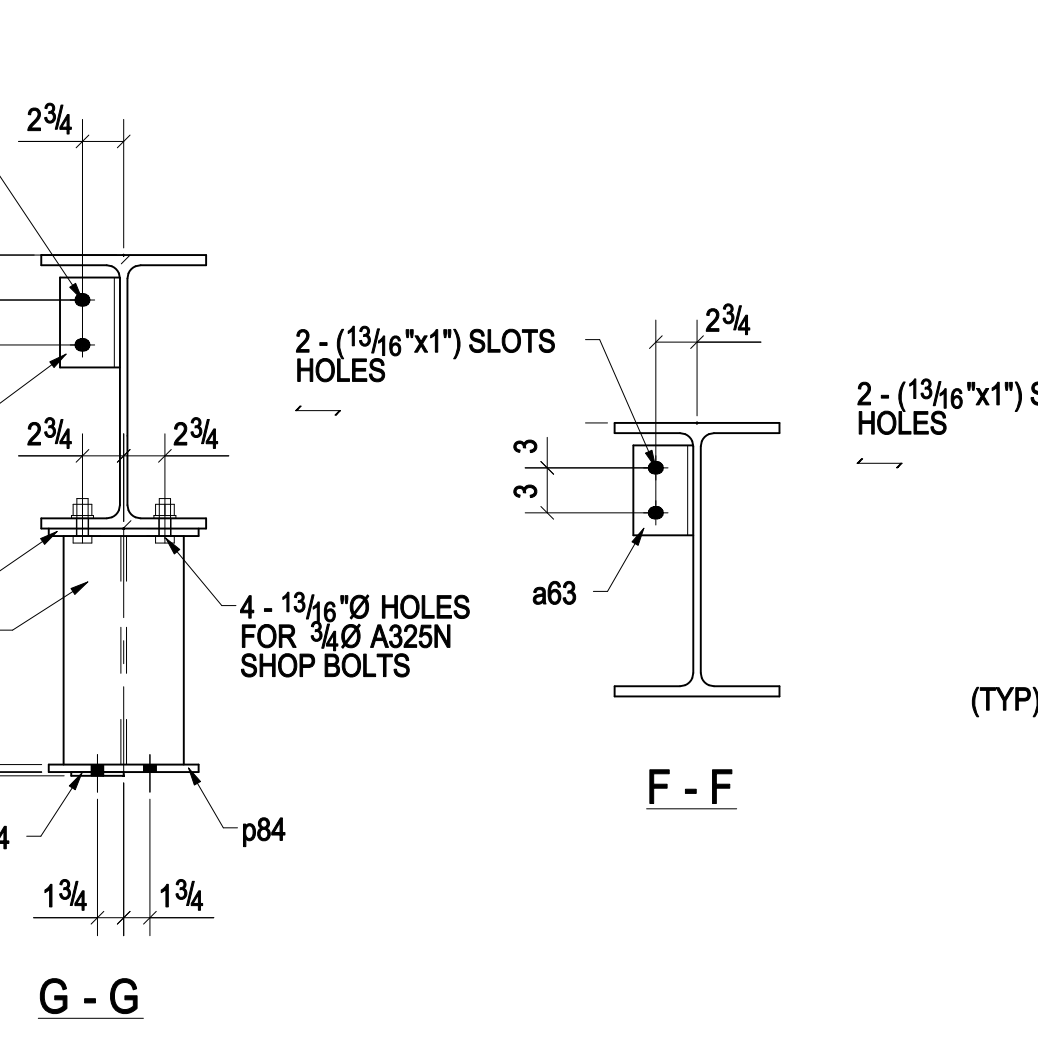
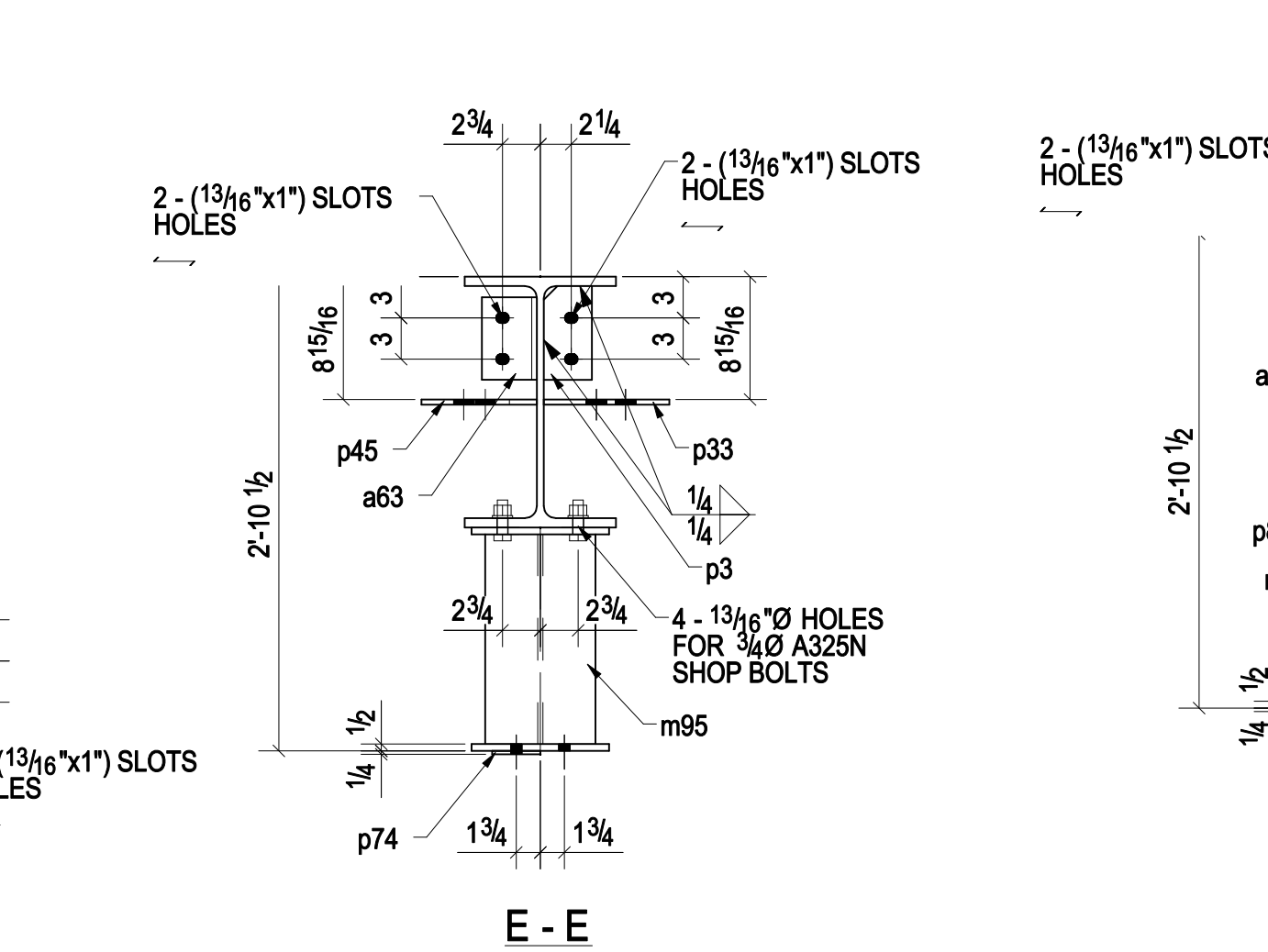
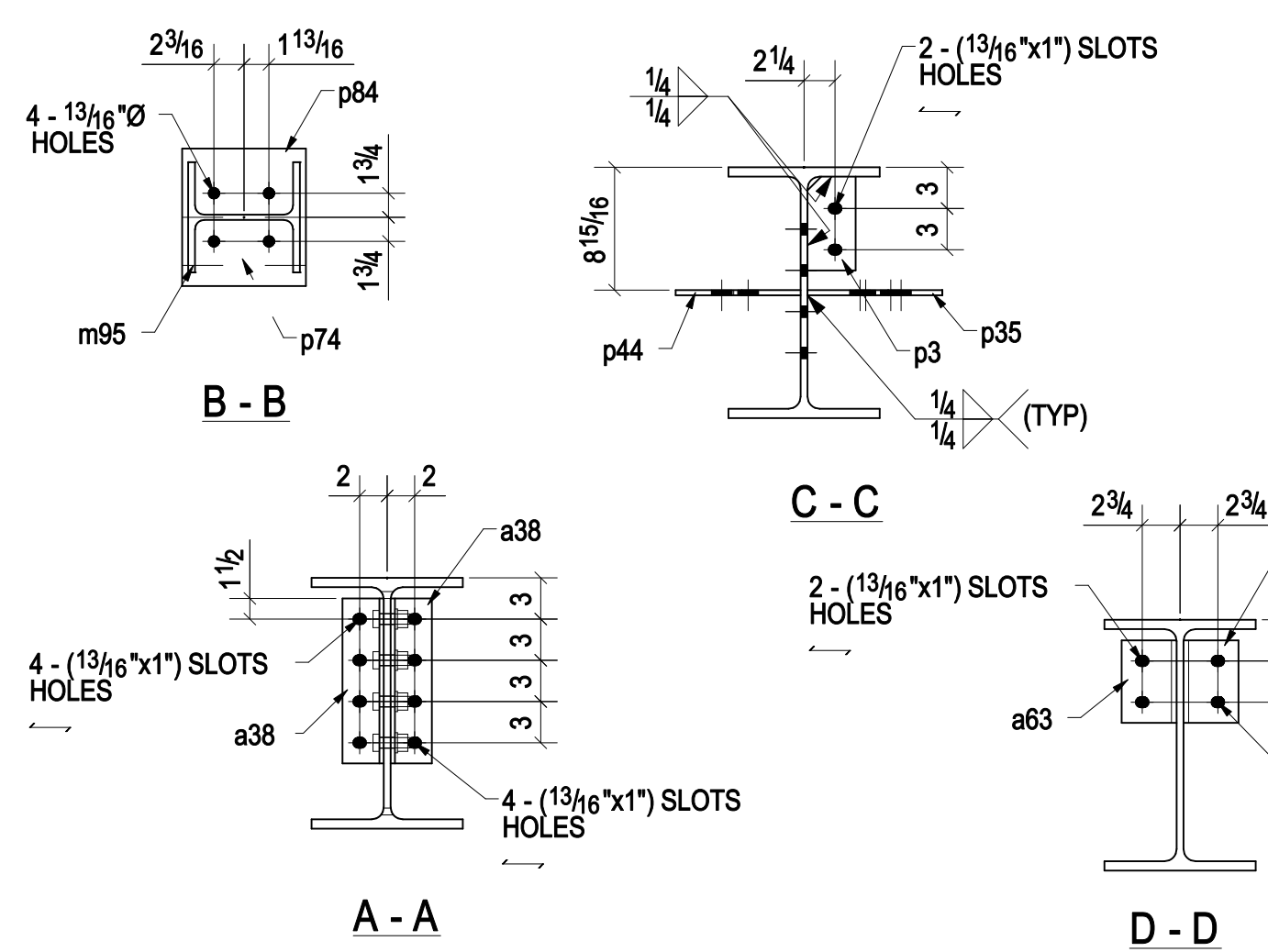
MARK	QTY	DESCRIPTION	LENGTH	WEIGHT	REMARKS
117B1	1	BEAM			
117B1	1	W18X76	49'-10 1/2"	3785	A992
a38	4	L3X3X5/16	1'-0"	24	A36
a63	7	L4X4X3/8	0'-6"	34	A36
m95	7	W8X35	1'-3 1/4"	312	A992
p3	3	FL3/8"X3 1/2"	0'-6 13/16"	7	A36
p33	1	PL3/8"X9 1/8"	1'-6 3/4"	17	A36
p34	1	PL3/8"X9 3/8"	1'-4 1/4"	15	A36
p35	1	PL3/8"X9 13/16"	1'-4 1/4"	15	A36
p44	1	PL3/8"X9 1/16"	0'-8 5/16"	6	A36
p45	1	FL3/8"X8 1/2"	1'-1 9/16"	8	A36
p74	7	FL1/4"X3 1/2"	0'-9"	16	A36
p83	7	FL1/2"X9"	0'-10"	89	A36
p84	7	FL1/2"X9"	0'-10"	89	A36
	8	3/4"Ø A325N BOLT	0'-2 1/4"	5	Workshop
	28	3/4"Ø A325N BOLT	0'-2 1/2"	18	Workshop
117B2	1	BEAM			
117B2	1	C8X11.5	3'-4"	38	A36
a107	1	L3X3X1/4	3'-4 1/2"	17	A36
a110	1	L3-1/2X3-1/2X3/8	0'-6"	4	A36
	2	3/4"Ø A325N BOLT	0'-1 3/4"	1	Workshop
117B3	1	BEAM			
117B3	1	C8X11.5	3'-1 1/4"	36	A36
a106	1	L3X3X1/4	3'-1 1/4"	15	A36
a110	1	L3-1/2X3-1/2X3/8	0'-6"	4	A36
	2	3/4"Ø A325N BOLT	0'-1 3/4"	1	Workshop
TOTAL WEIGHT THIS DRAWING				4557	



ONE - BEAM - 117B2



ONE - BEAM - 117B3



ONE - BEAM - 117B1

Total Qty.	Unit Qty.	Bolt Size & Length
2	2	BOLT 3/4" Ø A325N 0'-1 3/4"

FINISH : SSPC-SP2
PAINT : SHOP PRIMER

FOR FABRICATION		
NO.	REVISION	DATE

PROJECT NAME: _____
LOCATION: _____
CONTR: ---

DRAWN BY:	DATE:	CHECKED BY:
---	BEAM	SHEET NO. 117