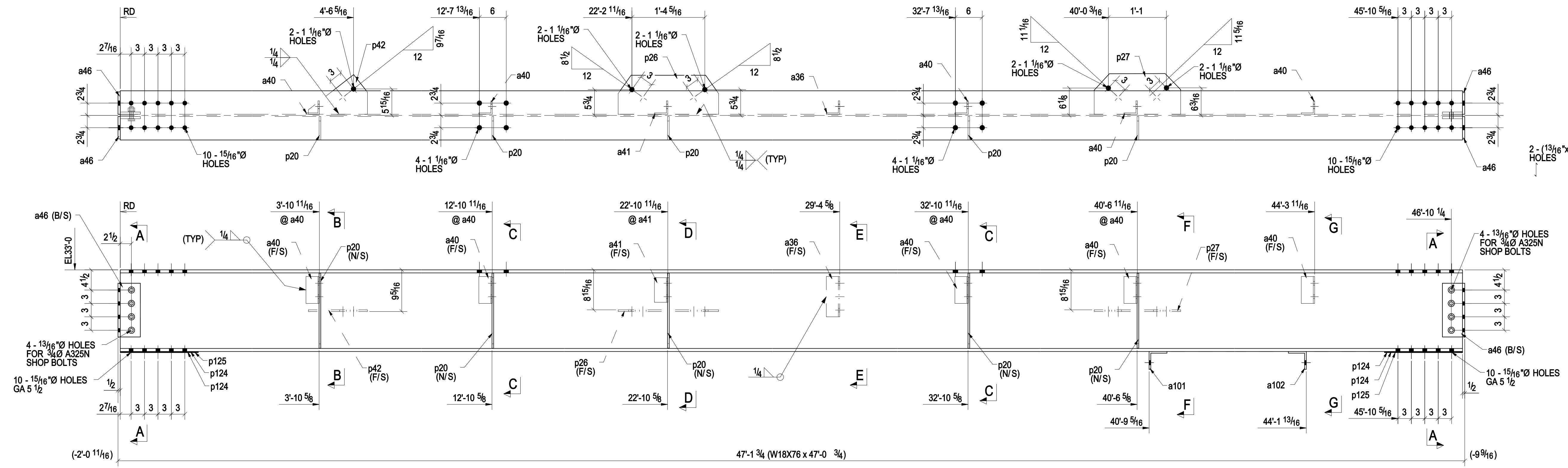
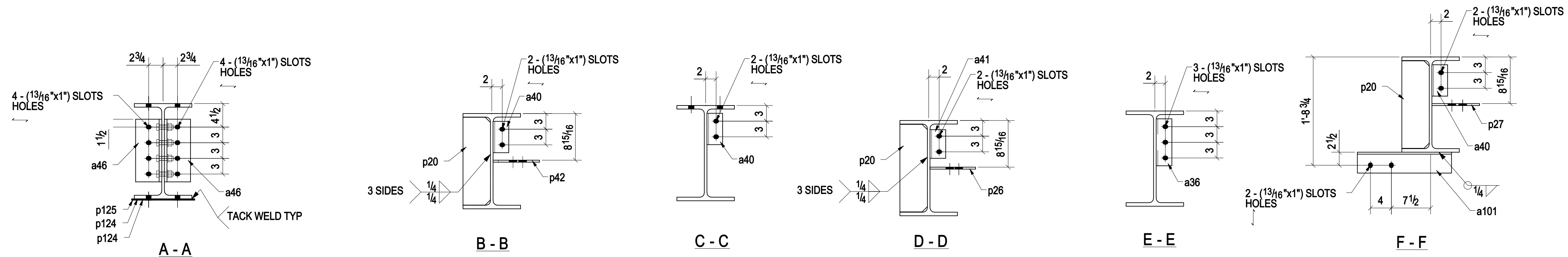
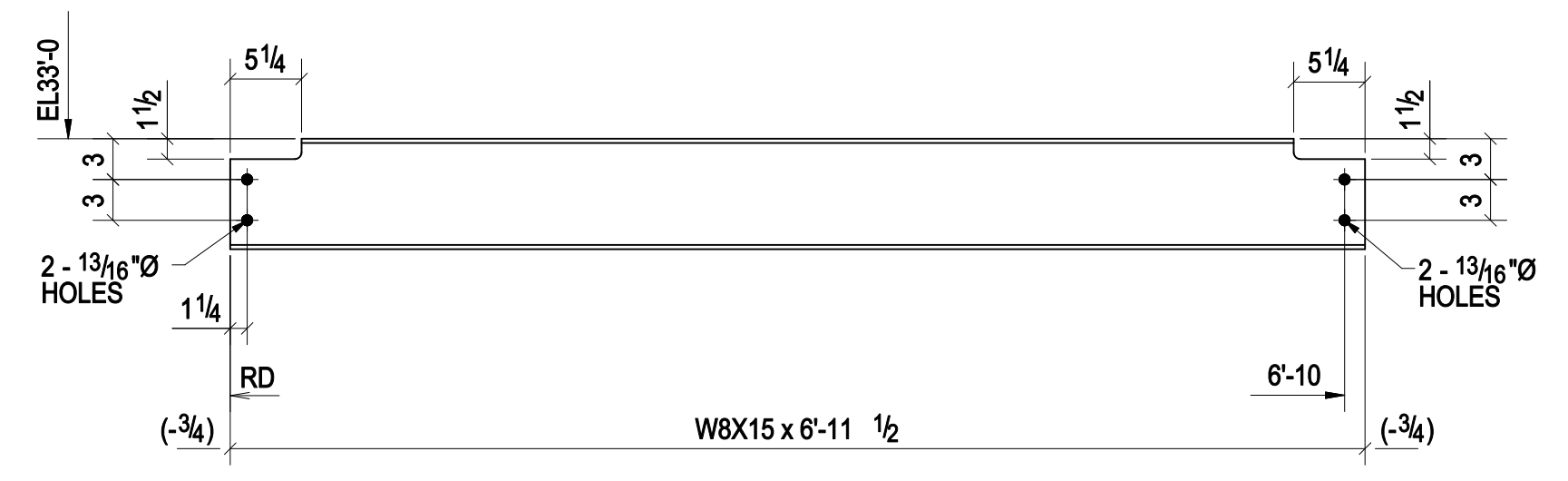


# BILL OF MATERIAL

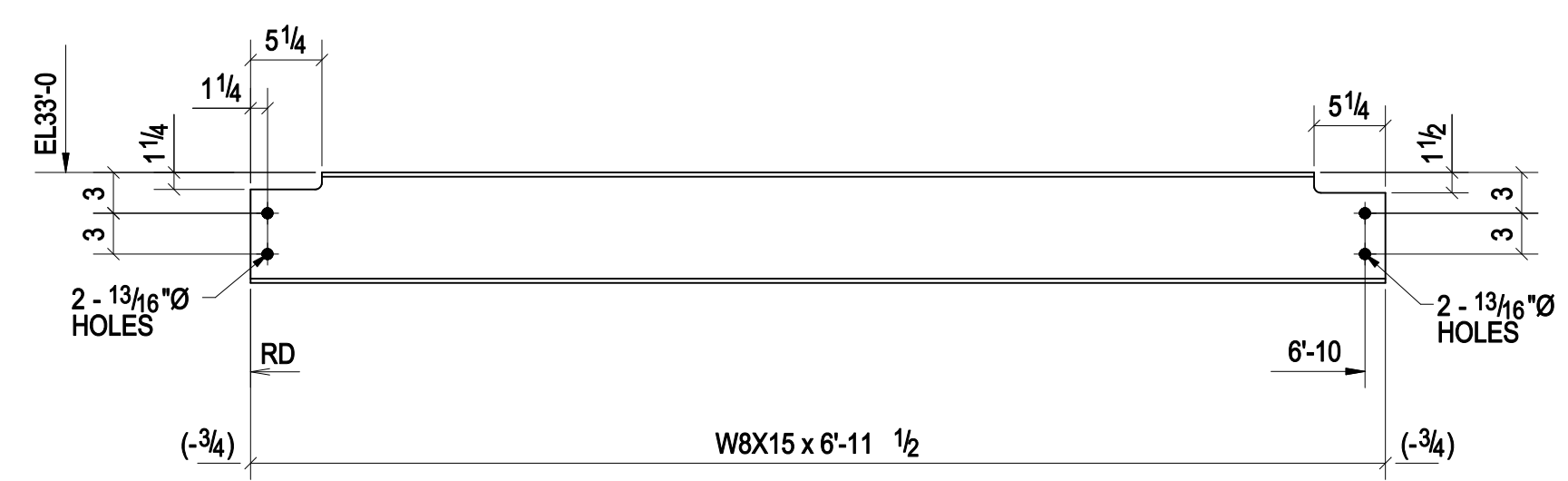
MARK	QTY	DESCRIPTION	LENGTH	WEIGHT	REMARKS
112B1	1	BEAM			
112B1	1	W18X76	47'-0 3/4"	3572	A992
a36	1	L3X3X5/16	0'-9"	5	A36
a40	5	L3X3X5/16	0'-6"	15	A36
a41	1	L3X3X5/16	0'-5 1/2"	3	A36
a46	4	L5X5X1/2	1'-0"	65	A36
a101	1	L4X4X3/8	1'-6"	15	A36
a102	1	L4X4X3/8	1'-6"	15	A36
p20	5	FL3/8"X5 1/4"	1'-4 3/4"	46	A36
p26	1	PL3/8"X8 11/16"	1'-10 7/16"	20	A36
p27	1	PL3/8"X8 1/8"	1'-7 5/16"	17	A36
p42	1	PL3/8"X8 7/8"	1'-1 3/16"	8	A36
p124	4	PL1/8"X12"	1'-5 7/16"	15	A36
p125	2	FL1/8"X12"	1'-5 7/16"	15	A36
	8	3/4" Ø A325N BOLT	0'-2 3/4"	5	Workshop
TOTAL WEIGHT THIS DRAWING				4445	



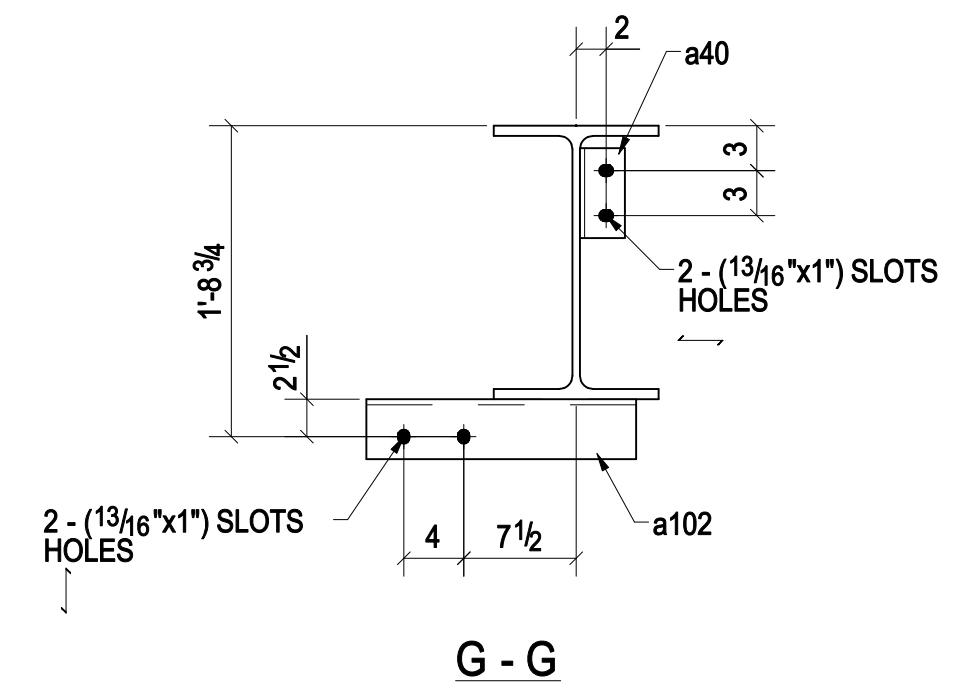
ONE - BEAM - 112B1



5 - BEAMS - 112B2



ONE - BEAM - 112B3



Total Qty.	Unit Qty.	Bolt Size & Length
24	8	BOLT 3/4" Ø A325N 0'-1 3/4"
4	4	BOLT 3/4" Ø A325N 0'-2"
8	8	BOLT 3/4" Ø A325N 0'-2 3/4"
8	8	BOLT 3/4" Ø A325N 0'-3 1/4"

FINISH : SSPC-SP2  
PAINT : SHOP PRIMER

FOR FABRICATION		
NO.	REVISION	DATE
PROJECT NAME:		
LOCATION:		
CONTR: ---		
DRAWN BY:	DATE:	CHECKED BY:
JOB NO. ---	BEAM	SHEET NO. 112